

Notes:
 PCB: JHP26B
 IC1: 2.5.8 PC145B
 IC3: TL072
 All resistors 1/4W
 All LEDs RED unless stated
 Polar letter indicates polar
 A - LOS B - LIM C - Antilog
 e indicates clockwise
 Tanden pots: f - front
 b - back

3	26-7-88	CP
2	15-7-88	SG
1	4-7-88	CPV
ISS. DATE		DRN.

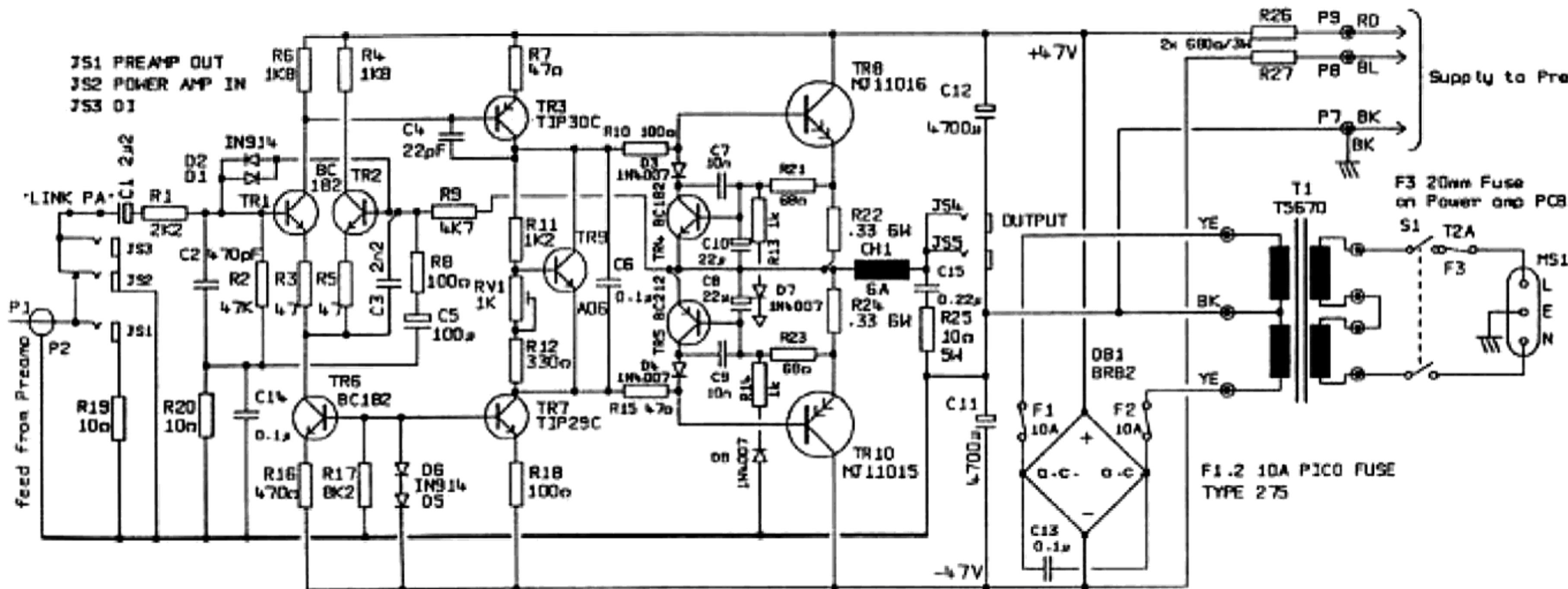
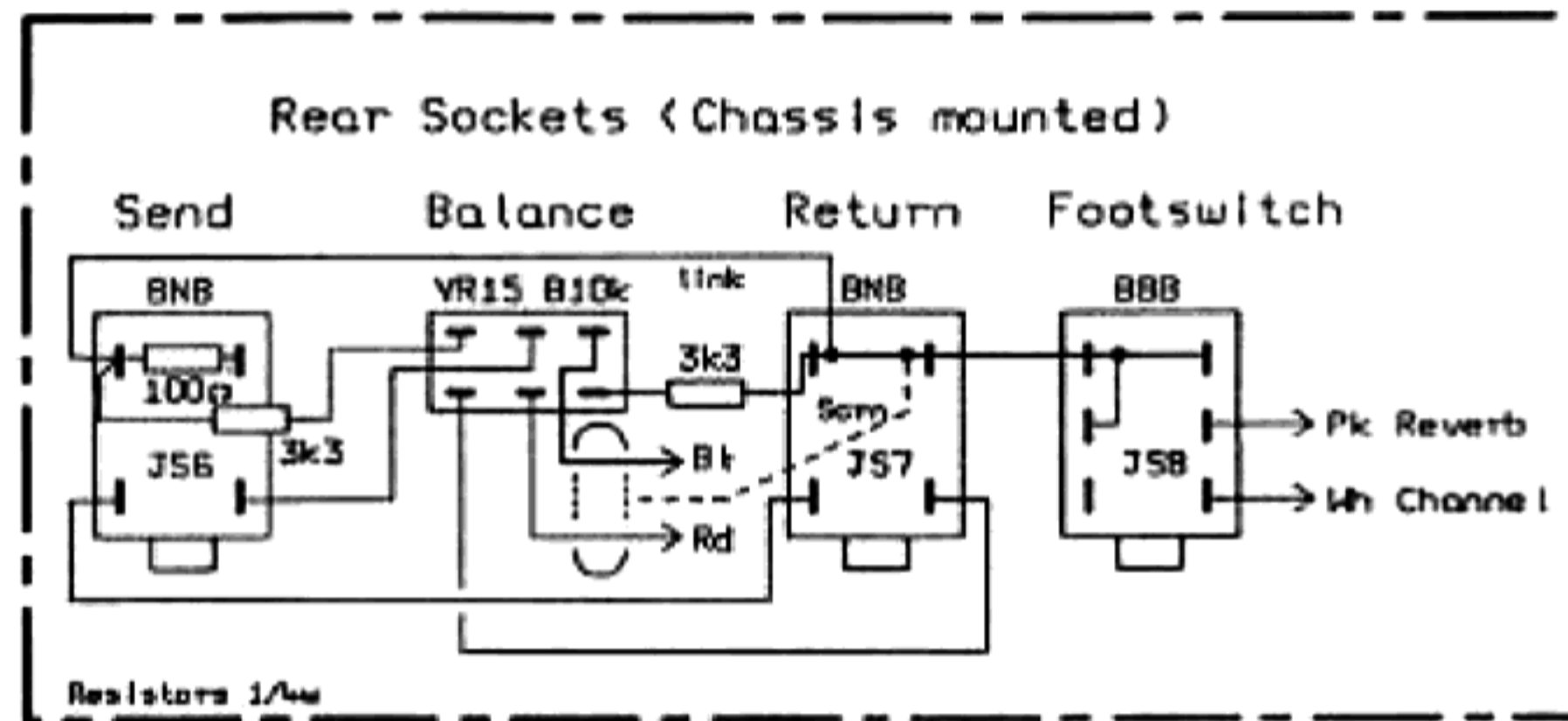
DRAWING NUMBER

3315 Preamp

MARSHALL

JIM MARSHALL
 PRODUCTS LTD.
 BLETCHLEY
 MILTON KEYNES
 ENGLAND
 File: 3315PRE.D0M





Notes:

PCB: JNP19D

All resistors 1/4w unless stated.

P1, etc refer to PCB rivets.

4	17-8-90	CPV
3	29-1-90	CPV
2	19-9-88	CPV
1	22-7-88	CPV
ISS.	DATE	DRN.

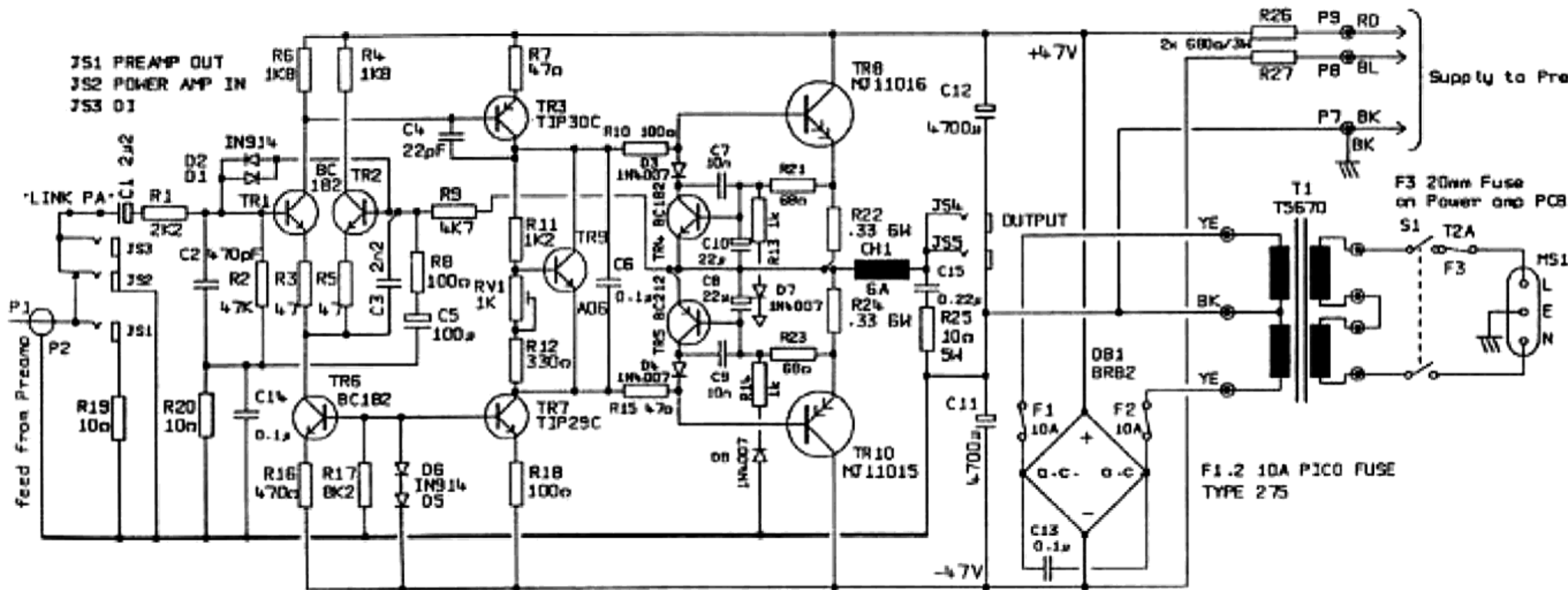
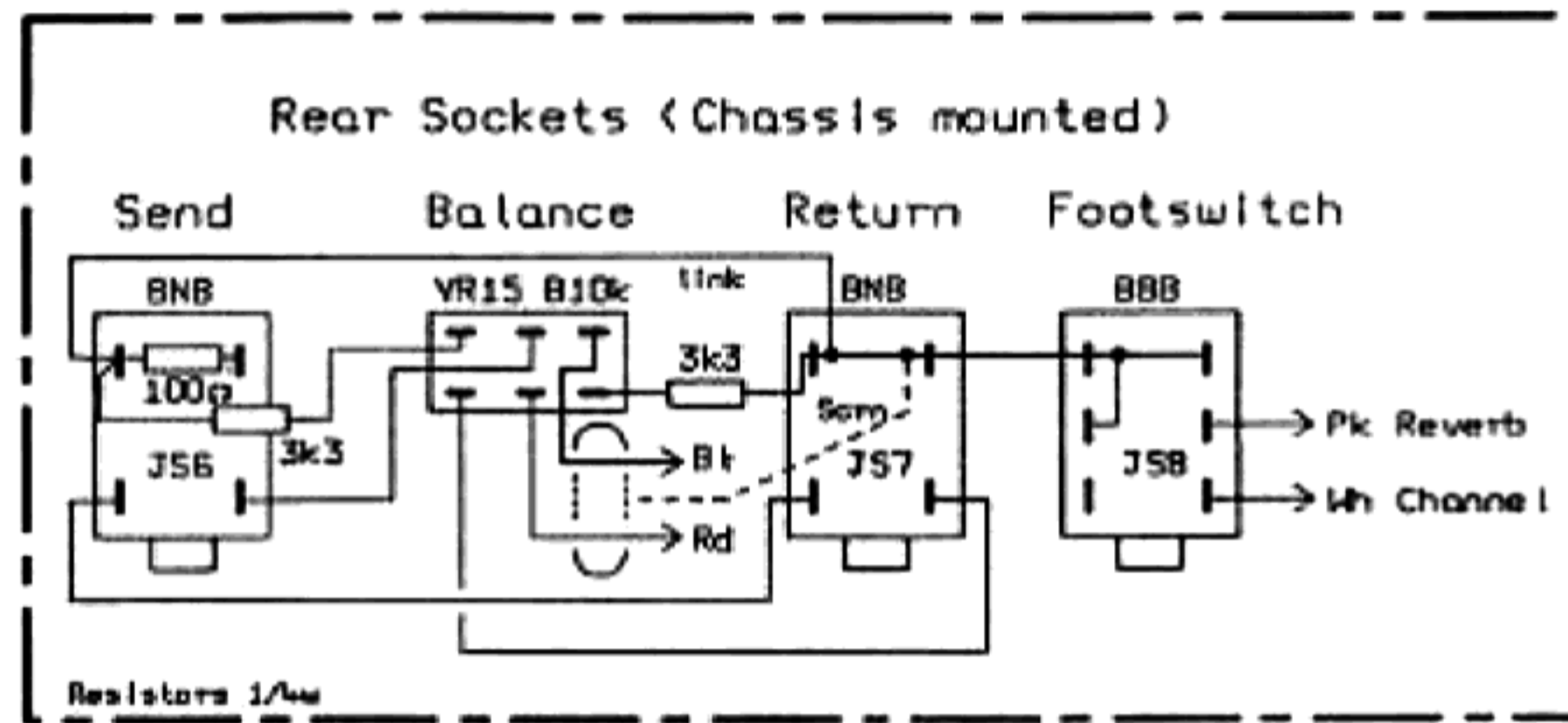
DRAWING NUMBER

3315 & 5150
150w Power Stage STD

MARSHALL

JIM MARSHALL
PRODUCTS LTD.
BLETCHLEY
MILTON KEYNES
ENGLAND

File: 150-PWR.D81



Notes:
 PCB: JNP19D
 All resistors 1/4w unless stated.
 P1, etc refer to PCB rivets.

4	17-8-90	CPV
3	29-1-90	CPV
2	19-9-88	CPV
1	22-7-88	CPV
ISS.	DATE	DRN.

DRAWING NUMBER
3315 & 5150
 150w Power Stage STD

MARSHALL

JIM MARSHALL
 PRODUCTS LTD.
 BLETCHLEY
 MILTON KEYNES
 ENGLAND
 File: 150-PWR.D81