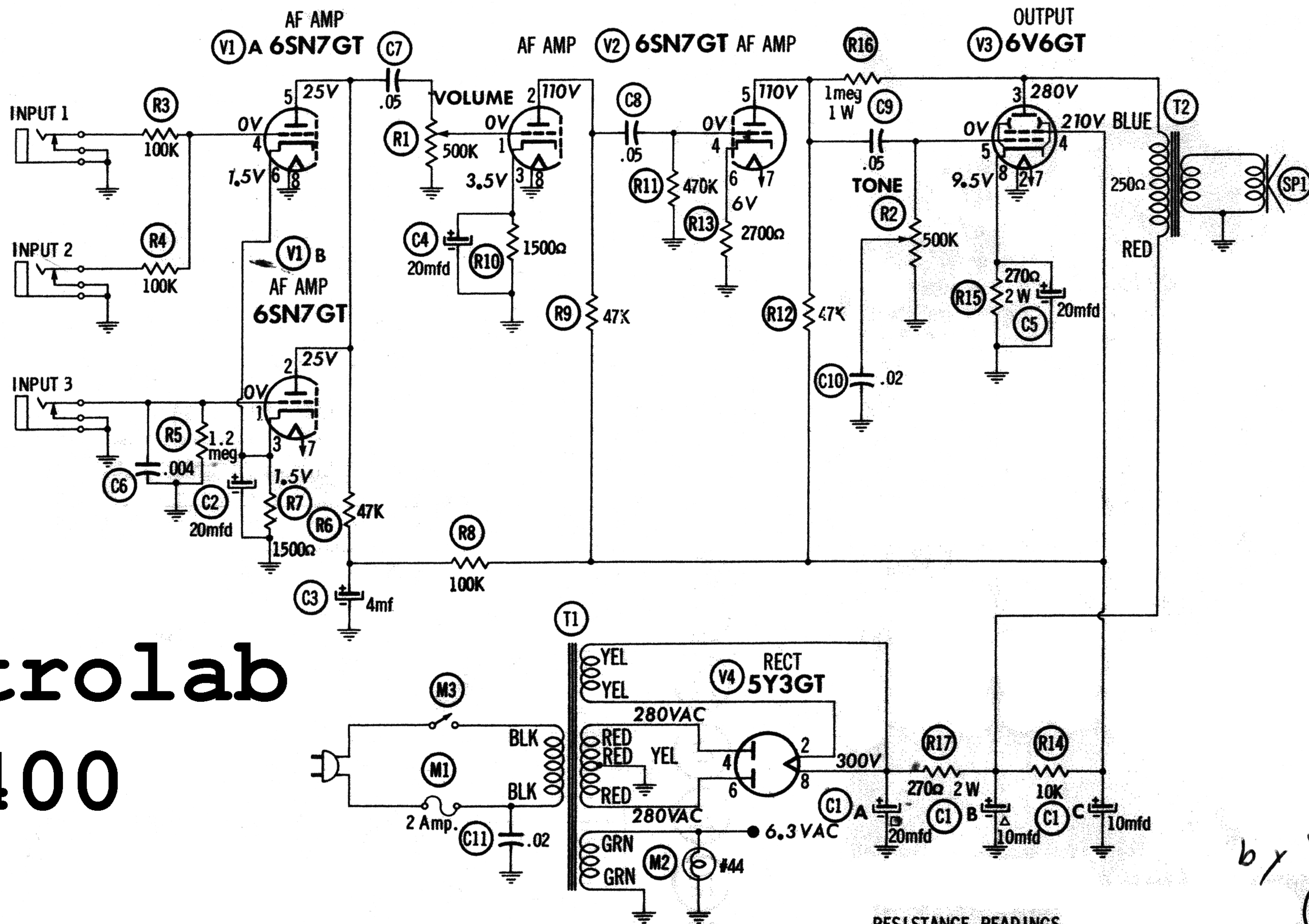


Lectrolab R400



by "Sound Projects"
(Spiegel)

1. DC voltage measurements taken with vacuum tube voltmeter; AC voltages measured at 1000 ohms per volt.
2. Socket connections are shown as bottom views.
3. Measured values are from socket pin to common negative.
4. Line voltage maintained at 117 volts for voltage readings.
5. Nominal tolerance on component values makes possible a variation of + 15% in voltage and resistance readings.
6. All controls at minimum, proper output load connected.

RESISTANCE READINGS

ITEM	TUBE	Pin 1	Pin 2	Pin 3	Pin 4	Pin 5	Pin 6	Pin 7	Pin 8
V1	6SN7GT	0Ω	†160K	1500Ω	50K	†160K	1500Ω	.2Ω	0Ω
V2	6SN7GT	0Ω	†60K	1500Ω	470K	†60K	2700Ω	.2Ω	0Ω
V3	6V6GT	NC	0Ω	†520Ω	†10K	500K	TP	.2Ω	270Ω
V4	5Y3GT	NC	10K	NC	315Ω	NC	300Ω	NC	10K

† MEASURED FROM PIN 8 OF V4.
NC NO CONNECTION
TP TIE POINT

A PHOTOFAC STANDARD NOTATION SCHEMATIC
© Howard W. Sams & Co., Inc. 1957

351-9

Note: R400C has different tubes
& tremolo

(1) EL84
(2) 12AX7
(1) 6X4