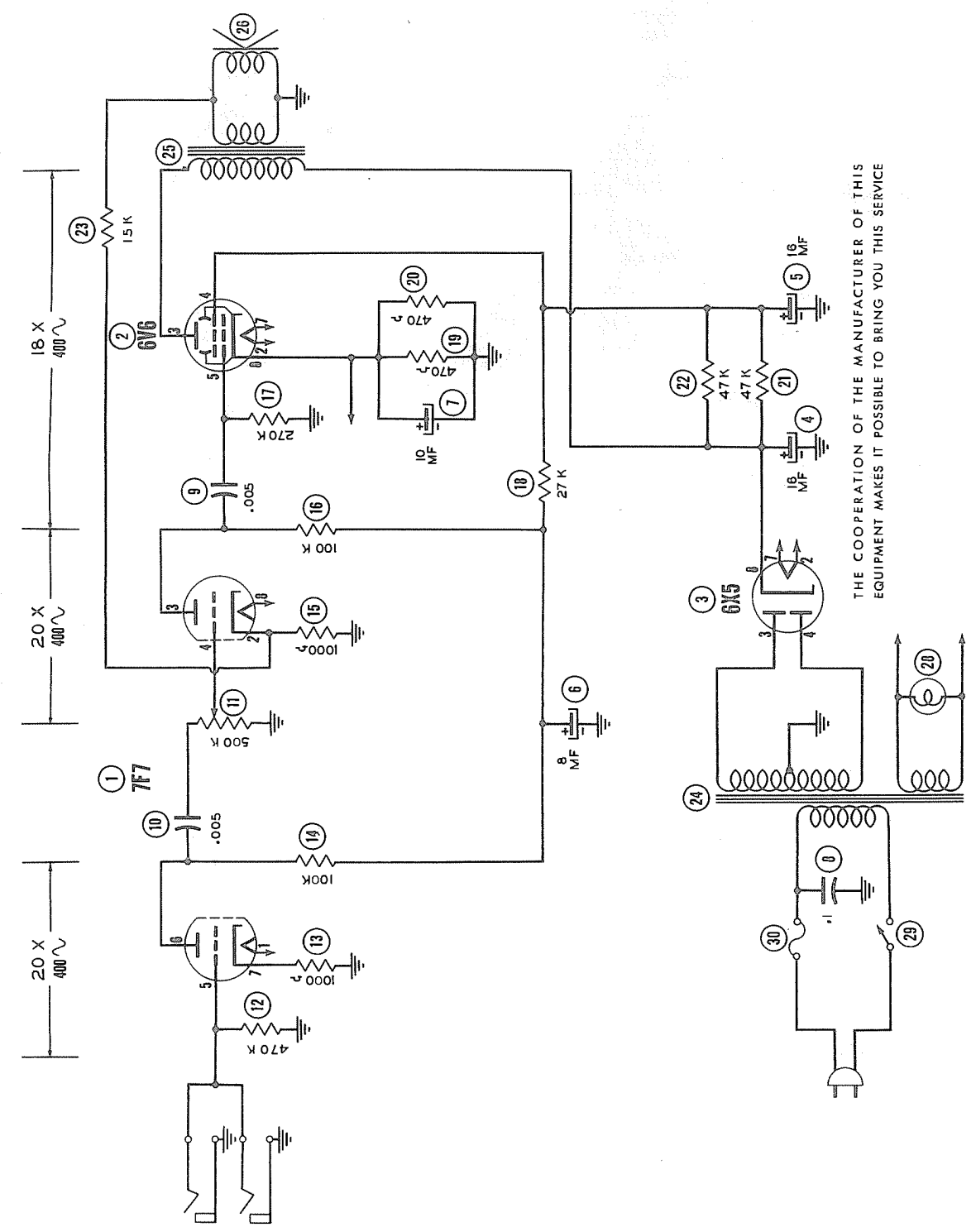


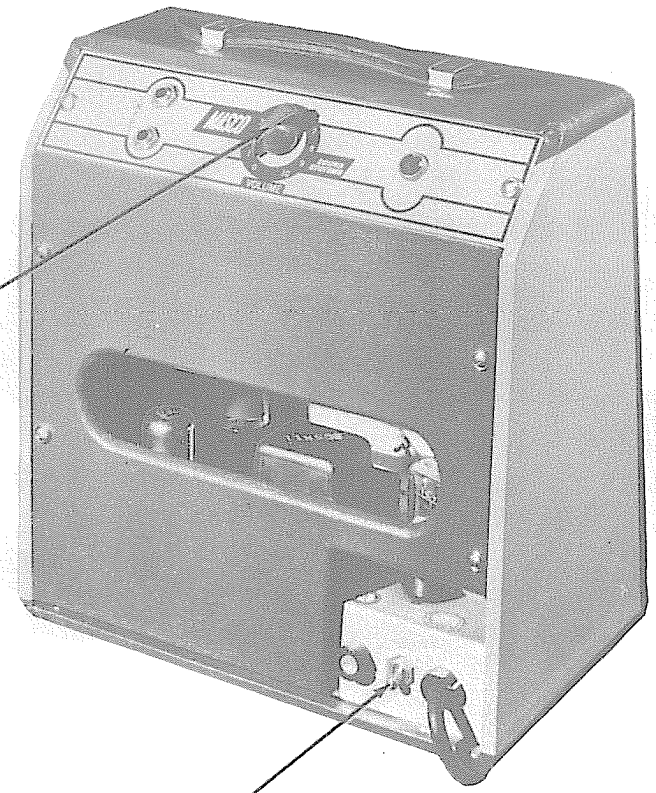
4822-12



THE COOPERATION OF THE MANUFACTURER OF THIS EQUIPMENT MAKES IT POSSIBLE TO BRING YOU THIS SERVICE

A PHOTOFACT STANDARD NOTATION SCHEMATIC ©Howard W. Sams & Co., Inc. 1948

MASCO MODEL MAP-105N



VOLUME CONTROL

POWER SWITCH

MASCO MODEL MAP-105N

TRADE NAME	Masco, Model MAP-105N
MANUFACTURER	Mark Simpson Mfg. Co., Inc., 32-28 49th St., Long Island City, N.Y.
TYPE SET	AC Operated Musical Instrument Amplifier
TUBES (THREE)	Types, 7F7 AF Amp., 6V6GT Power Output, 6X5GT Rectifier.
POWER SUPPLY	110-120 Volts AC RATING .25 Amp. @ 117 Volts AC

VOLTAGE READINGS

Item	Tube	Pin 1	Pin 2	Pin 3	Pin 4	Pin 5	Pin 6	Pin 7	Pin 8
1	7F7	8.8VDC	.7VDC	70VDC	0V.	0V.	70VDC	.6VDC	8.8VDC
2	6V6GT/G	0V.	8.8VDC	280VDC	180VDC	0V.	290VDC	8.8VDC	8.8VDC
3	6X5GT/G	0V.	8.8VDC	250VAC	0V.	250VAC	0V.	8.8VDC	290VDC

RESISTANCE READINGS

Item	Tube	Pin 1	Pin 2	Pin 3	Pin 4	Pin 5	Pin 6	Pin 7	Pin 8
1	7F7	250Ω	1KΩ	180KΩ	0Ω	470KΩ	180KΩ	1KΩ	250Ω
2	6V6GT/G	0Ω	250Ω	30KΩ	54KΩ	270KΩ	30KΩ	250Ω	250Ω
3	6X5GT/G	INF.	250Ω	190Ω	INF.	170Ω	INF.	250Ω	30KΩ

6.6V AC MEASURED BETWEEN FILAMENT PINS.

- RESISTANCE READINGS IN THE B+ CIRCUITS MAY VARY WIDELY ACCORDING TO THE CONDITION OF THE FILTER CAPACITORS
- 1 - DC Voltage measurements are at 20,000 ohms per volt; AC Voltages measured at 1000 ohms per volt.
  - 2 - Socket connections are shown as bottom views.
  - 3 - Measured values are from socket pin to common negative.
  - 4 - Line voltage maintained at 117 volts for voltage readings.
  - 5 - Nominal tolerance on component values makes possible a variation of ± 15% in voltage and resistance readings.
  - 6 - Volume control at minimum, no signal applied for voltage measurements.

HOWARD W. SAMS & CO., INC.

"The listing of any available replacement part herein does not constitute in any case a recommendation, warranty or guaranty by Howard W. Sams & Co., Inc., as to the quality and suitability of such replacement part. The numbers of these parts have been compiled from information furnished to Howard W. Sams & Co., Inc., by the manufacturers of the particular type of replacement part listed." "Reproduction or use, without express permission, of editorial or pictorial con-

Indianapolis Indiana

tent, in any manner, is prohibited. No patent liability is assumed with respect to the use of the information contained herein. Copyright 1948 by Howard W. Sams & Co., Inc., Indianapolis, Indiana, U. S. A. Copyright under International Copyright Union. All rights reserved under Inter-American Copyright Union (1910) by Howard W. Sams & Co., Inc." Printed in U. S. of America

MASCO MODEL MAP-105N

# PARTS LIST AND DESCRIPTIONS

MASCO  
MODEL MAP-105M

# CHASSIS—TOP VIEW

ITEM No.	USE	REPLACEMENT DATA			INSTALLATION NOTES
		MASCO PART No.	STANDARD REPLACEMENT	RMA BASE TYPE	
1	AF Amp.	7F7	7F7	8AC	
2	Power Output	6V5GT	6V5GT	7AC	
3	Rectifier	5X5GT	5X5GT	6S	

## CAPACITORS

Capacity values given in the rating column are in mfd. for Electrolytic and Paper Capacitors, and in mmfd. for Mica and Ceramic Capacitors.

ITEM No.	RATING CAP.	VOLTS	REPLACEMENT DATA			IDENTIFICATION CODES AND INSTALLATION NOTES
			MASCO PART No.	AEROVOX PART No.	CORNELL-DUBIER PART No.	
4	16	450	PRS450/16	BRL645	UT-16	Filter Decoupling Cathode Bypass Line Filter TC-25 Audio Coupling
5	16	450	PRS450/16	BRL645	UT-16	
6	8	450	PRS450/16	BRL645	UT-16	
7	10	50	PRS50/10	UT691	TA-510	
8	1	800	684-005	UT691	ST-9-30	
9	.005	800	684-005	UT691	ST-9-005	
10	.005	800	684-005	UT691	ST-9-005	
					TC-25	

## CONTROLS

ITEM No.	RATING RESISTANCE	WATTS	REPLACEMENT DATA			INSTALLATION NOTES
			MASCO PART No.	IRC PART No.	CLAROSTAT PART No.	
11A	500K $\pm$	$\frac{1}{2}$	D13-133	M-60-Z		Volume Control
			A			Not Req. Attach to 11A per instructions

## RESISTORS

ITEM No.	RATING RESISTANCE	WATTS	REPLACEMENT DATA			IDENTIFICATION CODES
			MASCO PART No.	IRC PART No.	SPRAGUE PART No.	
12	470K $\Omega$	$\frac{1}{2}$		BTS-470K	Y1-V1-V1	AF Grid
13	100K $\Omega$	$\frac{1}{2}$		BTS-100K	Y1-V1-V1	Red AF Cathode
14	100K $\Omega$	$\frac{1}{2}$		BTS-100K	Br.-Blk.-Y1	AF Plate Load
15	100K $\Omega$	$\frac{1}{2}$		BTS-100K	Br.-Blk.-Y1	AF Cathode
16	100K $\Omega$	$\frac{1}{2}$		BTS-100K	Br.-Blk.-Y1	AF Plate Load
17	270K $\Omega$	$\frac{1}{2}$		BTS-270K	Red-V1	Output Grid
18	27K $\Omega$	$\frac{1}{2}$		BW-1-470	Red-V1	Decoupling
19	470 $\Omega$	$\frac{1}{2}$		BW-1-470	Y1-V1	Br. Output Cathode
20	470 $\Omega$	$\frac{1}{2}$		BW-1-470	Y1-V1	Br. Output Cathode
21	47K $\Omega$	$\frac{1}{2}$		BTS-47K	Y1-V1	Or. Filter
22	47K $\Omega$	$\frac{1}{2}$		BTS-47K	Y1-V1	Or. Filter
23	15K $\Omega$	$\frac{1}{2}$		BTS-15K	Br.-Grn.-Or.	Feedback

## PARTS LIST AND DESCRIPTIONS (Continued)

### TRANSFORMER (POWER)

ITEM No.	RATING		REPLACEMENT DATA			
	SEC. 1	SEC. 2	MASCO PART No.	STANCOR PART No.	THORNDARSON PART No.	MERIT PART No.
	24	117V AC 500V ON 6.8V AC @ .25A	0.355A DC @ 1.5A	SEC. 3	P-6297*	T22R00*

\*Drill new mounting holes.

### TRANSFORMER (OUTPUT)

ITEM No.	RATING		REPLACEMENT DATA			
	DC RES.	SEC.	MASCO PART No.	STANCOR PART No.	MERIT PART No.	INSTALLATION NOTES
	25	400 $\Omega$	3.3 $\Omega$	A-3825	T22S60	A-2901T

### SPEAKER

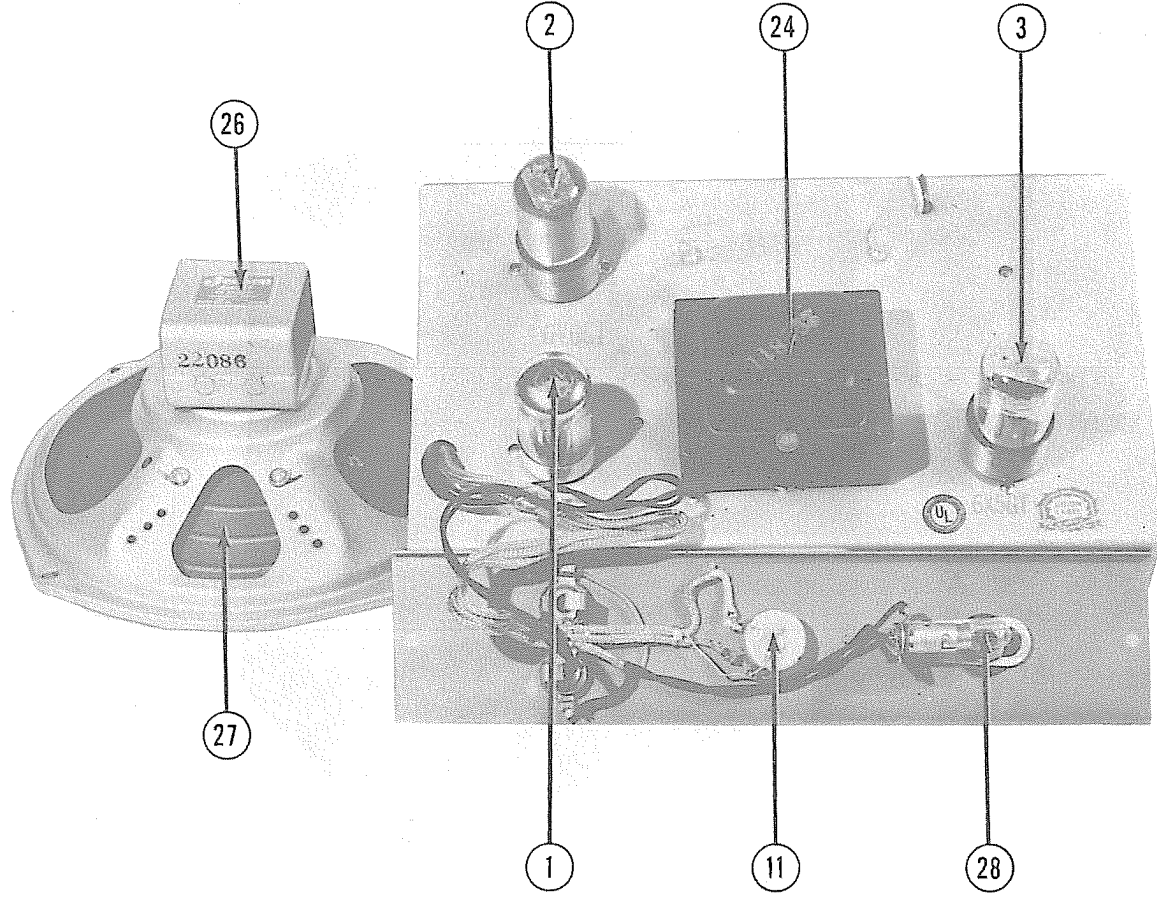
ITEM No.	RATINGS FIELD RES. DC IMP. PI	REPLACEMENT DATA			INSTALLATION NOTES
		MASCO PART No.	JENSEN PART No.	QUAM PART No.	
26	3.3 $\Omega$		ST-117	BA31	
27	3.4 $\Omega$		Mod. P8-T		

### DIAL LIGHT

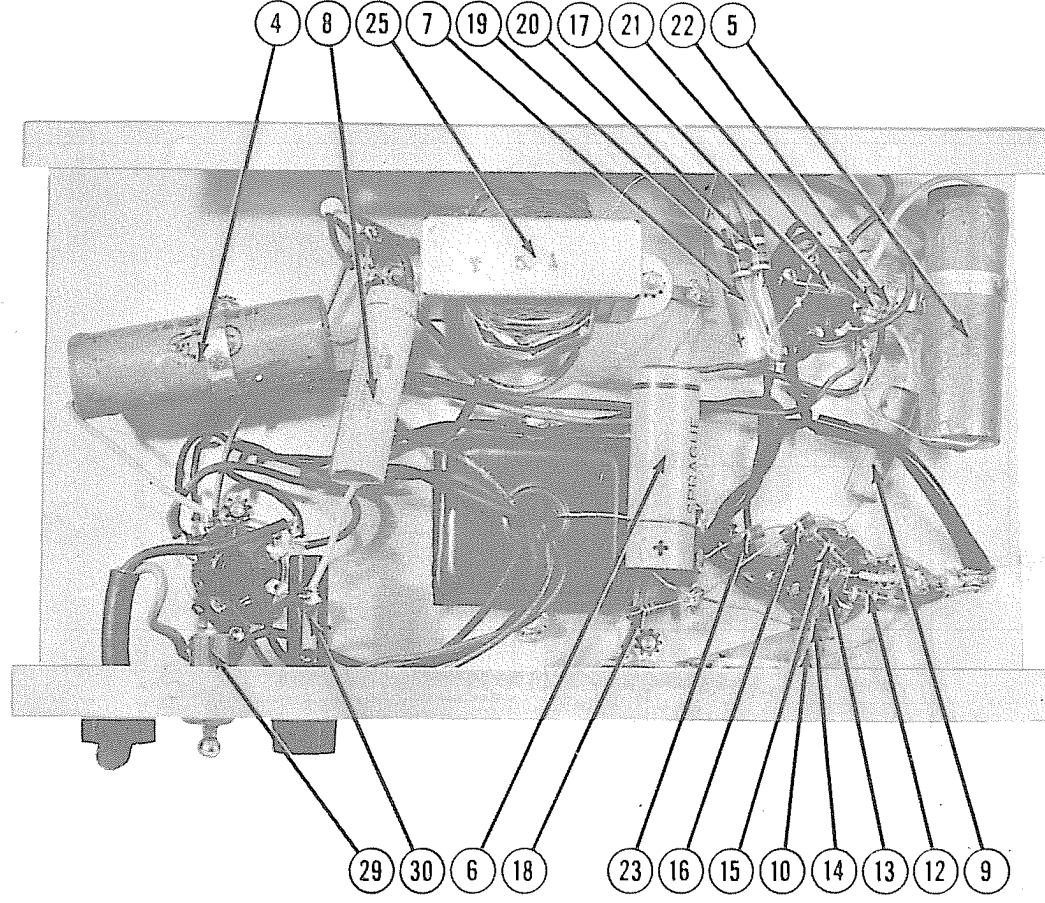
ITEM No.	BASE TYPE	VOLTS	AMPS.	REPLACEMENT DATA		INSTALLATION NOTES
				MASCO PART No.	BEAD COLOR	
28	Bayonet	6-8	0.15		BROWN	Type 47

### MISCELLANEOUS

ITEM No.	PART NAME	MASCO PART No.	NOTES
29	Switch		On-Off
30	Fuse		1 Amp.



# CHASSIS—BOTTOM VIEW



MASCO  
MODEL MAP-105M

MASCO  
MODEL MAP-105M