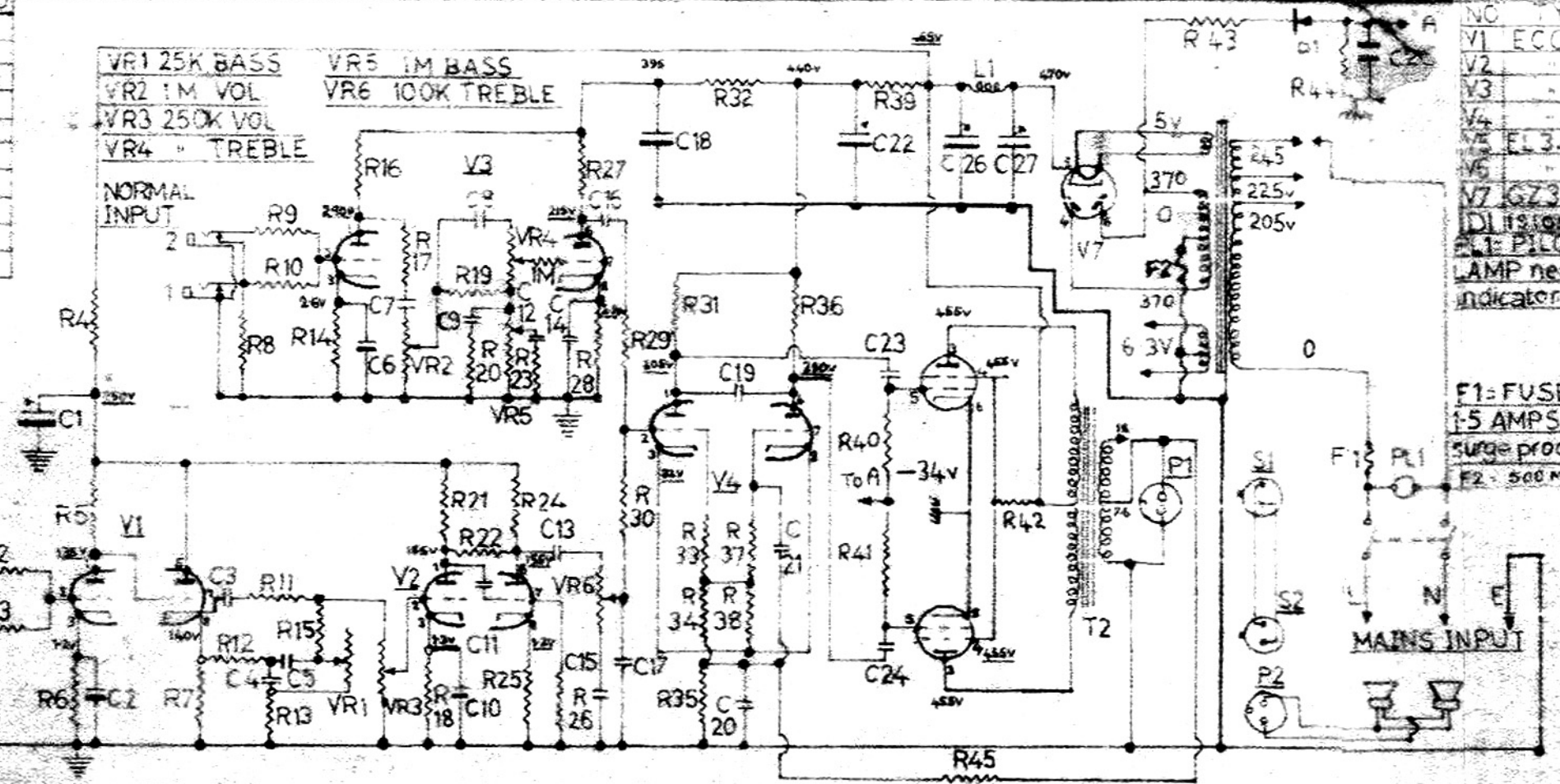


NO	PRI NO
F1	F32
P1	P117
L1	L121
S1	S249
T1	T52
T2	T187
L1	C657
V12	V11
V5	V9
V7	V18

VR1 25K BASS  
VR2 1M VOL  
VR3 250K VOL  
VR4 TREBLE  
VR5 1M BASS  
VR6 100K TREBLE

NORMAL INPUT

BASS INPUT



NO	TYPE
V1	ECC83
V2	
V3	
V4	
V5	EL34
V6	
V7	6Z34
DI	115105
PI	PILOT
LAMP	neon indicator

F1= FUSE  
1.5 AMPS.  
surge proof  
F2= 500 MA

0 = COMMON GND

RESISTOR NO	VALUE	PART NO	R NO	VALUE	PART NO	R NO	VALUE	PART NO	COND. NO	VALUE	PART NO	COND NO	VALUE	PART NO
R1,8,12,22,26,33,37	1M Ω	R 458	R35	520 Ω	R11	R32	27K Ω	R85	C1,18/22,26,32	32u/500V	C22	C4,11,13,24	10-0.47uf	C 46
R2,3,9,10	68K	R 468	R18,25	1.5K	R 337	R34	5.8K	R125	C2,6,10	25u/12V	C21	C12,15	50,000pf	C 589
R4	51K	R 416	R19	330K	R 456	R35	4.7K	R 342	C3,19	100pf	C100	C13,14,20,21	10.1 uf	C 51
R5,27,40,41	220K	R 455	R20	22K	R 431	R39	5K	R 80	C5	0.25uf	C272	C17	100,000pf	C590
R7,16,21,24,36,45	100K	R 454	R23	56K	R 453	R42	1K	R 199	C7	0.01uf	C619	C25	55u/100V	C641
R6,14,28	2.7K	R 335	R29,30	470K	R 457	R43	180K	R 479	C8	220pf	C592			
R11,15	27K	R 448	R31	82K	R 64	R17	470K	R 457	C9	2200pf	C591			
			R13	22K	R 486	R44	31K	R62						

SIZE Reduce to 13x8  
DATE 27.6.63  
DRAWN [Signature] TRACED T.B.

SILVER ELECTRONICS LTD

DIAGRAM CIRCUIT BASSMASTER 50 AMPLIFIER

DRAWING 2186/3  
PART NO D57A

LONDON, U.K.