

MC2G

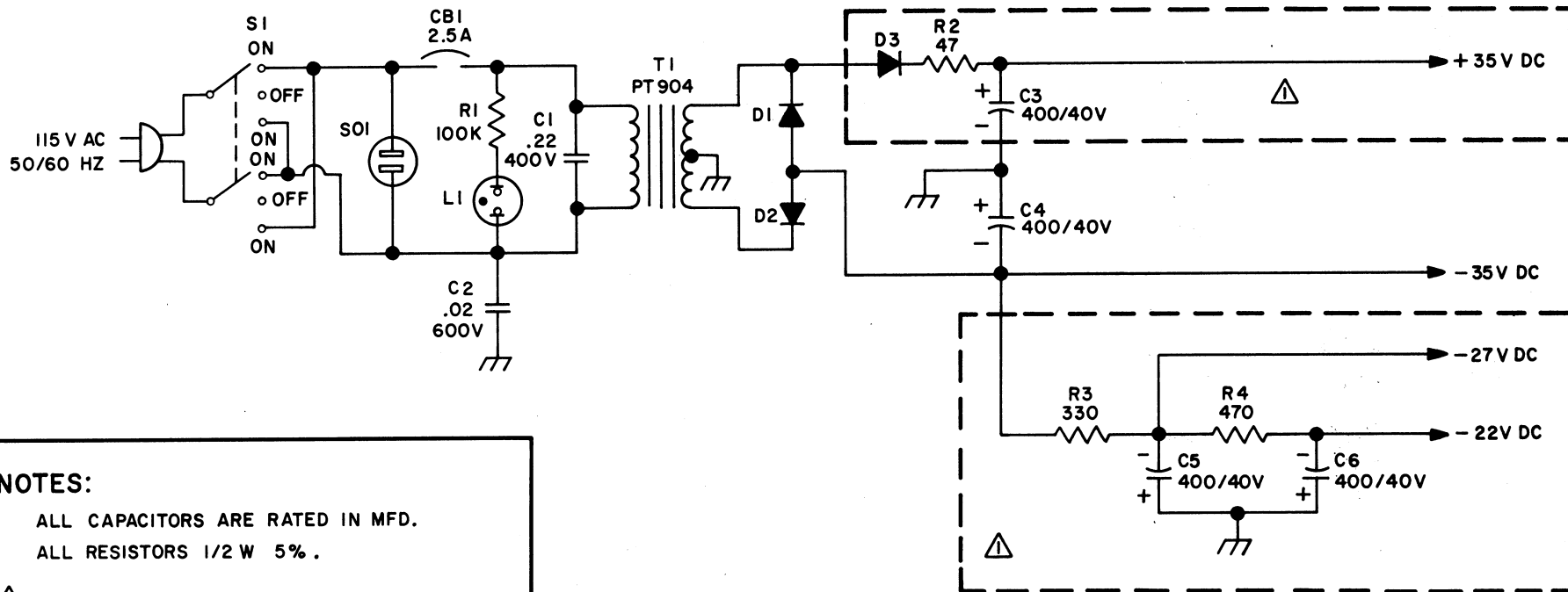
SERVICE INFORMATION

"Quality Speaks for Itself"



EL MONTE • CALIFORNIA • 91731





NOTES:

ALL CAPACITORS ARE RATED IN MFD.

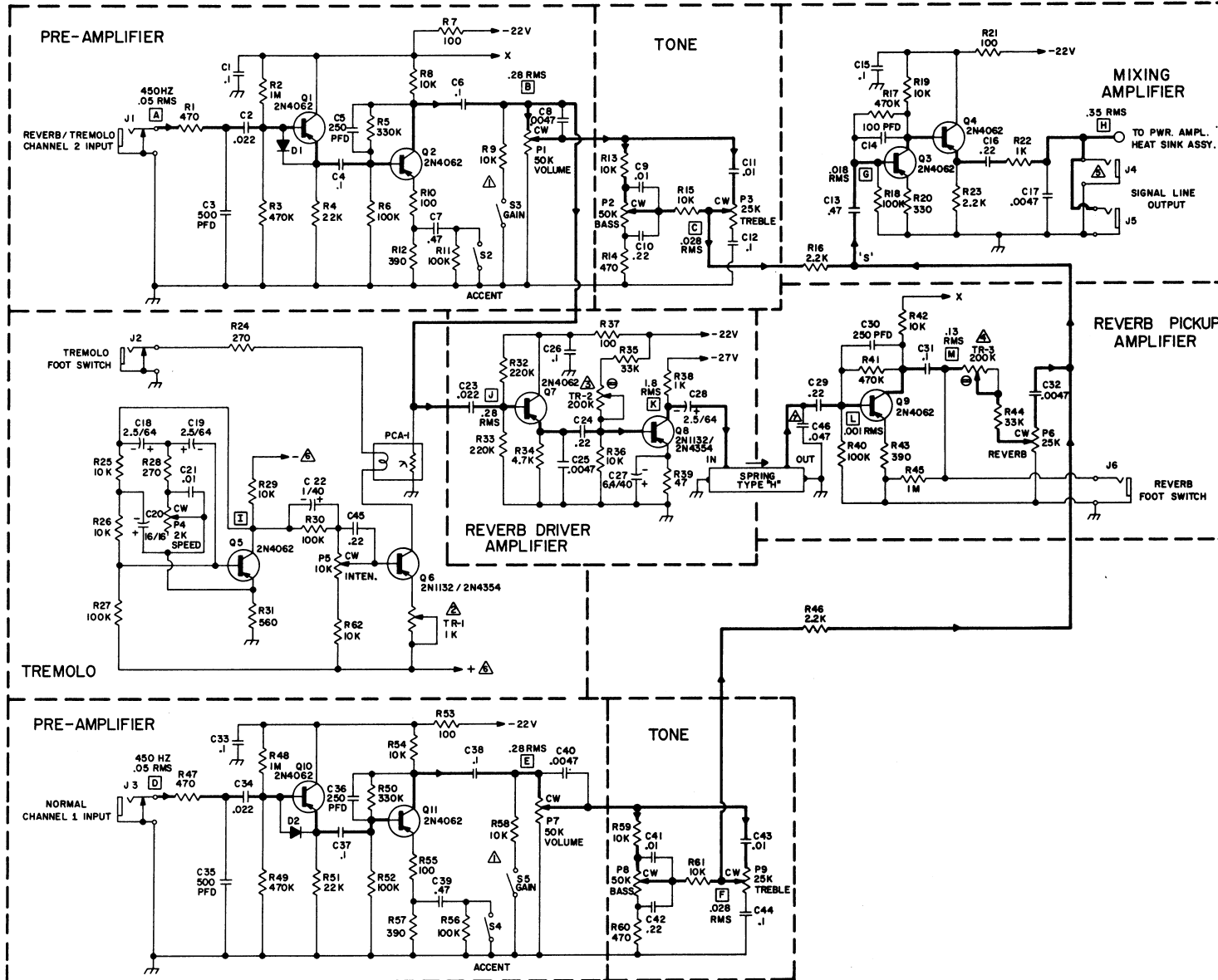
ALL RESISTORS 1/2 W 5% .

⚠ NOT USED ON MC2B MODELS.

Standel[®]

SCHMATIC DIAGRAM
1970
POWER SUPPLY
MC2G & MC2B MODELS

DRAFTSMAN H.M.M.	CHECKED M.D.B.	APP R.G.H.	DATE 3-18-70	1B002
---------------------	-------------------	---------------	-----------------	-------



- NOTES:**
- = INDICATES KEY SIGNAL TRACING TEST POINTS.
 - 'S' = CHANNEL 1, CHANNEL 2 AND REVERB SIGNAL SUMMING POINTS.
 - INDICATES MAIN SIGNAL PATHS.
 - PI-P9, S2-S5, J1-J3 & J6 ARE LOCATED ON FRONT PANEL AND CONNECT TO BOARD VIA LEAD OUT WIRES.
 - J4, J5 ARE LOCATED ON REAR PANEL.
 - ALL CAPACITORS ARE RATED IN MFD AND AT 100V UNLESS NOTED.
 - ALL RESISTORS 1/2W 5% UNLESS NOTED.
 - △ S3, S5, R9, R58 ARE USED ONLY ON CUSTOM AND MC II MODELS.
 - △ ADJ. TR-1 (TREMOLO SENSITIVITY) TILL TREMOLO JUST STOPS WITH INTENSITY CONTROL. OFF.
 - △ ADJ. TR-2 (REVERB DRIVER) FOR 10V D.C. ACROSS R 38.
 - △ ADJ. TR-3 (REVERB SENSITIVITY) FOR MAXIMUM REVERB WITHOUT FEED BACK.
 - ⊖ INDICATES SCREW DRIVER ADJ.
 - △ USED ONLY ON MC II MODEL.
 - △ MC II : 35V, STUDIO: 40V, CUSTOM : 45V, MC II GP: 45V.
 - △ USED ONLY ON MC II GP MODEL.

