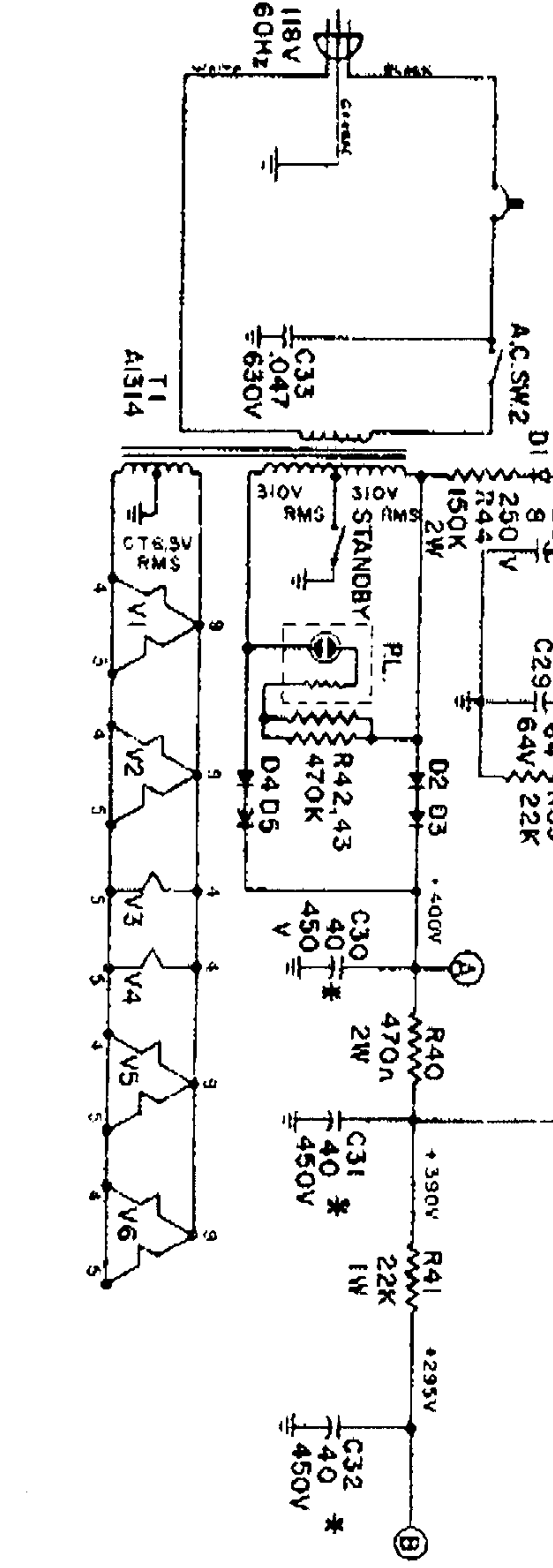


CIRCUIT BREAKER  
1.46A HOLD  
2.25A BREAK



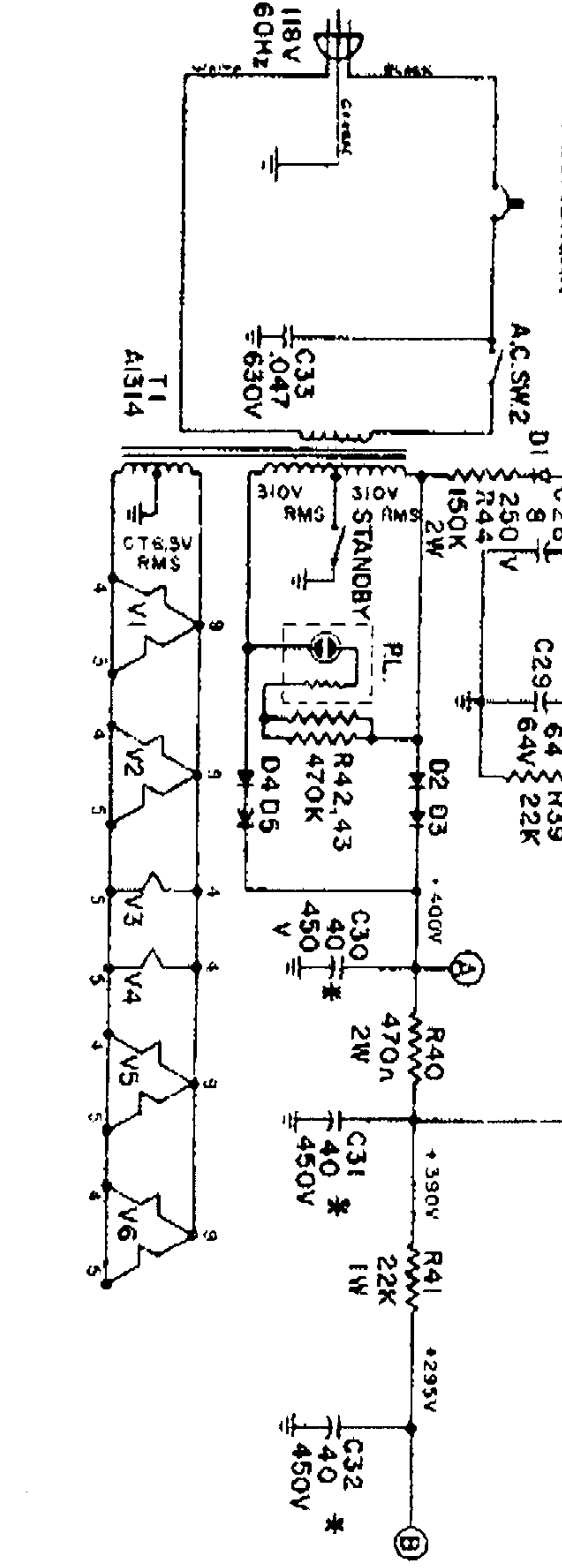
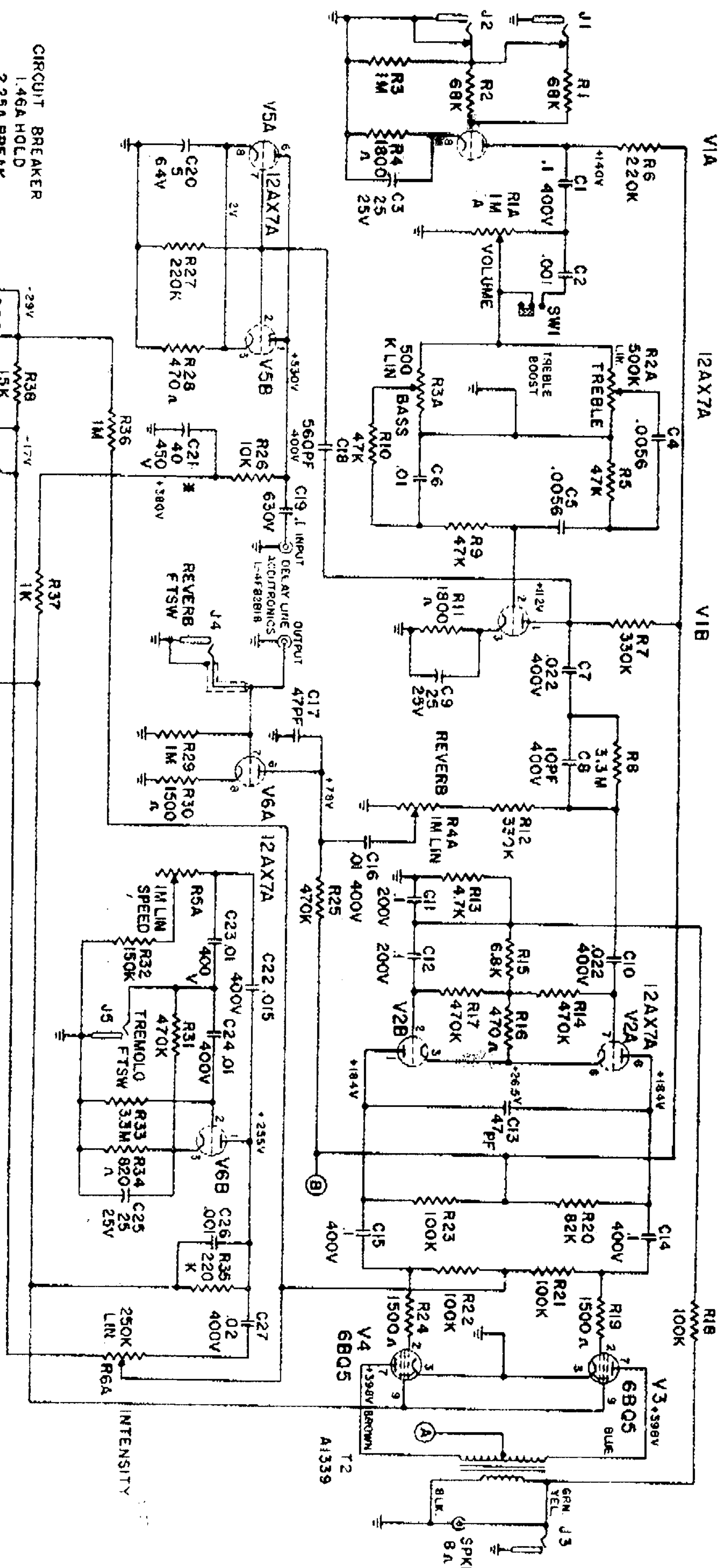
1. ALL CAPS IN  $\mu$  UNLESS OTHERWISE NOTED.  
 2. ALL RESISTANCES IN OHMS. AT  $\frac{1}{2}$  W. UNLESS OTHERWISE NOTED.  
 3. ALL VOLTAGES MEASURED TO  $\pm 20\%$  WITH 15 MEG. INPUT VOLTMETER.  
 \* TWO 2 SECTION CAPACITORS  
 LAST RESISTOR R44  
 LAST CAPACITOR C33

D1, D2, D3, D4, D5, PH204 OR BY 126

REV	BY	DATE
0003	JTC	07/2/73

YORKVILLE SOUND LTD.  
 YGM-3 B 4  
 Design: TRAYNOR, P. SIMONE  
 DWG BY: J. ETARSEY  
 APP BY: [Signature]  
 DATE: SEPT. 11/73



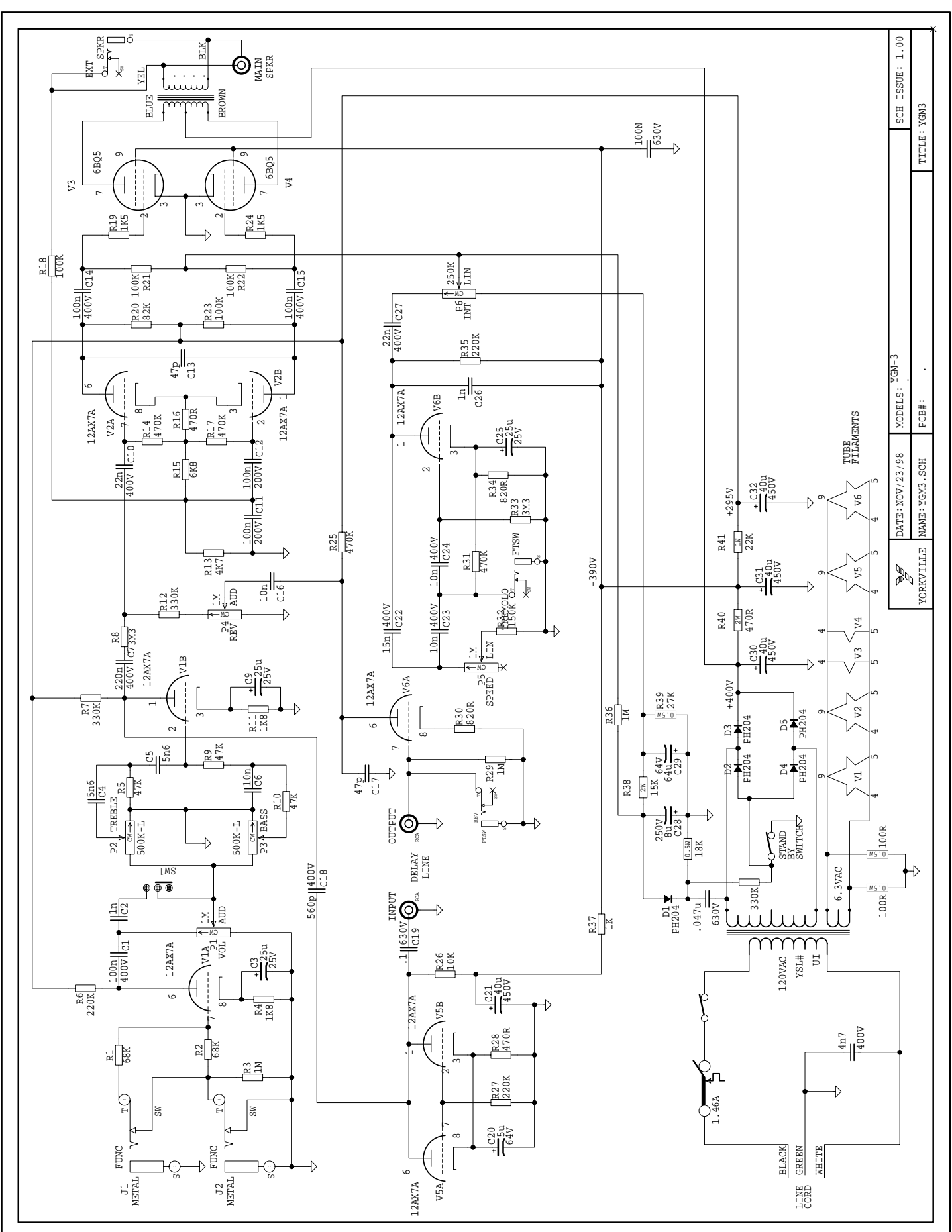


1. ALL CAPS IN MP UNLESS OTHERWISE NOTED.  
 2. ALL RESISTANCES IN OHMS. AT 1/2 W. UNLESS OTHERWISE NOTED.  
 3. ALL VOLTAGES MEASURED TO 120% WITH 15 MEG. INPUT VOLTMETER.  
 \* TWO 2 SECTION CAPACITORS  
 LAST RESISTOR R44  
 LAST CAPACITOR C33

01.02.03.04.05. PH204 OR BY 126

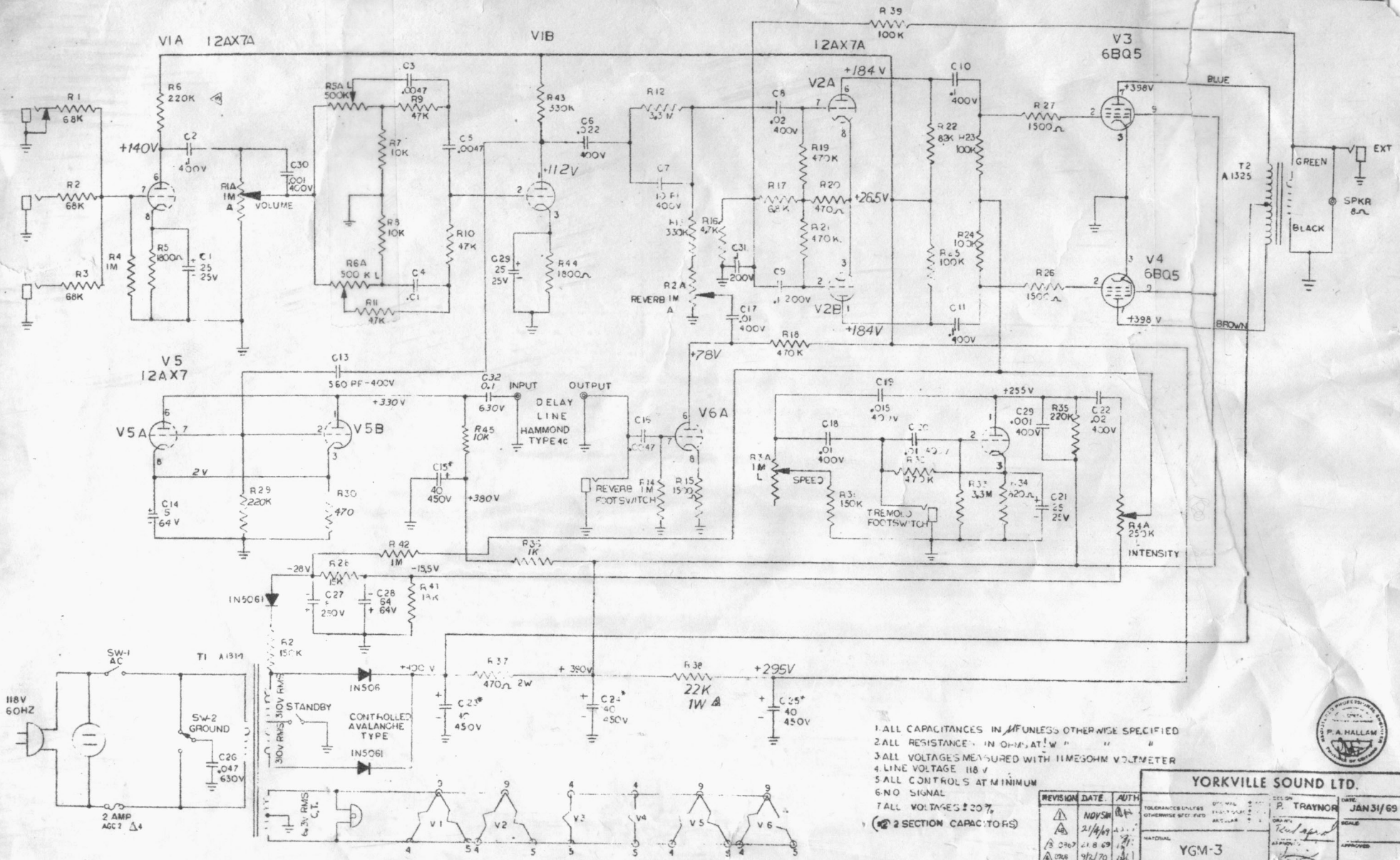
REV	BY	DATE
0003	JTC	07/2/73

YORKVILLE SOUND LTD.  
**YGM-3 B 4**  
 Design: TRAYNOR, P. SIMONE  
 DWG BY: J. ETARSEY  
 APP BY: [Signature]  
 DATE: SEPT. 11/73



YORKVILLE	DATE: NOV/23/98	MODELS: YGM-3	SCH ISSUE: 1.00
NAME: YGM3.SCH	PCB#:	TITLE: YGM3	





1. ALL CAPACITANCES IN  $\mu$ F UNLESS OTHERWISE SPECIFIED
2. ALL RESISTANCES IN OHMS AT 1W "
3. ALL VOLTAGES MEASURED WITH 11MEG OHM VOLTMETER
4. LINE VOLTAGE 118V
5. ALL CONTROLS AT MINIMUM
6. NO SIGNAL
7. ALL VOLTAGES  $\pm 20\%$

(2 SECTION CAPACITORS)



**YORKVILLE SOUND LTD.**

REVISION	DATE	AUTH	TOLERANCES UNLESS OTHERWISE SPECIFIED	SCALE	DESIGN	DATE
1	NOV 58	PT	NATIONAL	1"	P. TRAYNOR	JAN 31/69
2	2/1/69	PT				
3	2/6/69	PT				
4	9/2/70	PT				
5	12/2/70	PT				
6	12/1/70	PT				

**YGM-3**

GUITAR-MATE  
REVERB

APPROVED

ALL DIMENSIONS IN INCHES  
DO NOT SCALE

LAST REV: R45