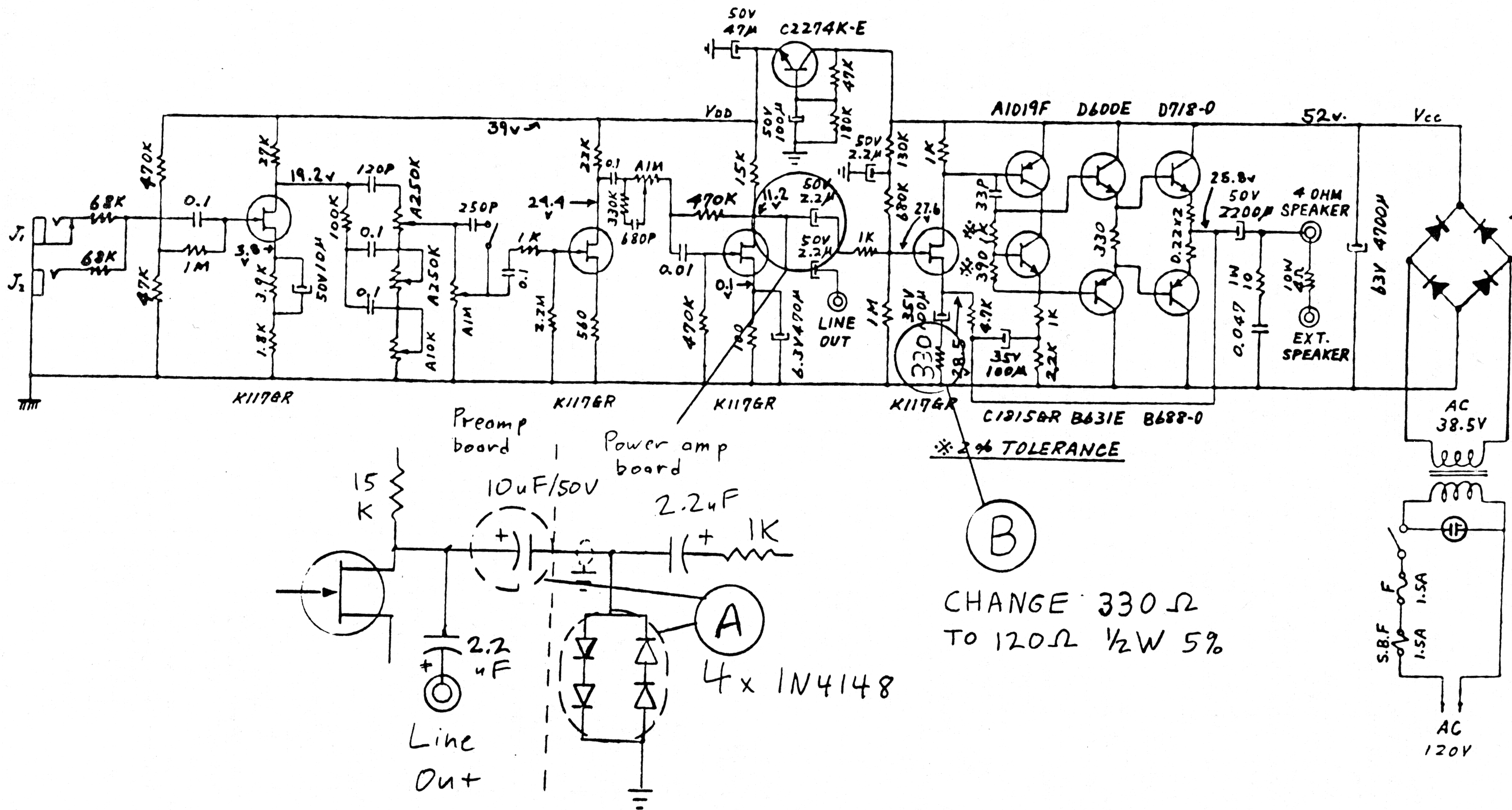


NOTE — THE "FET" DRAIN VOLTAGE WILL VARY  $\pm 20\%$  AND STILL MAINTAIN PROPER OPERATING CONDITIONS OF GAIN AND LOW DISTORTION. ALL READINGS ARE +VDC UNLESS OTHERWISE SPECIFIED.

NOTE — ALL VOLTAGE READINGS TAKEN WITH BK 283 —  $3\frac{1}{2}$  DIGIT MULTI-METER. A.C. LINE +120V. 60 HZ. ALL CONTROLS "0"



Unicord.  
a Division of Gull - Western Manufacturing Company  
89 Pool Street Westbury, N.Y. 11590

Westbury  
Model 555 Bass Amplifier