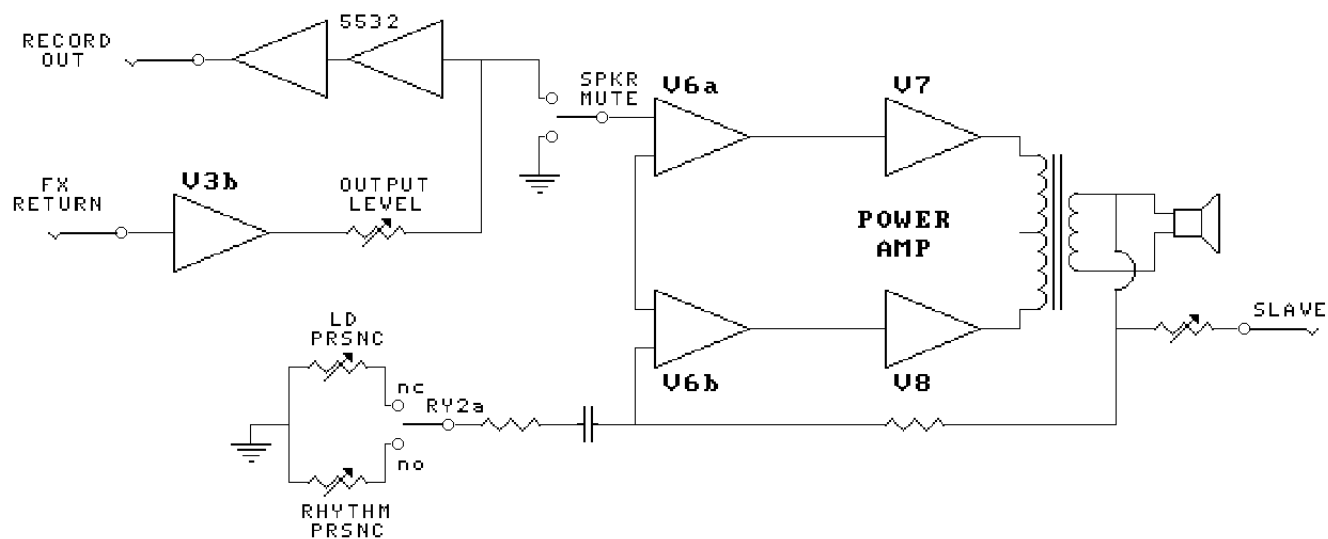
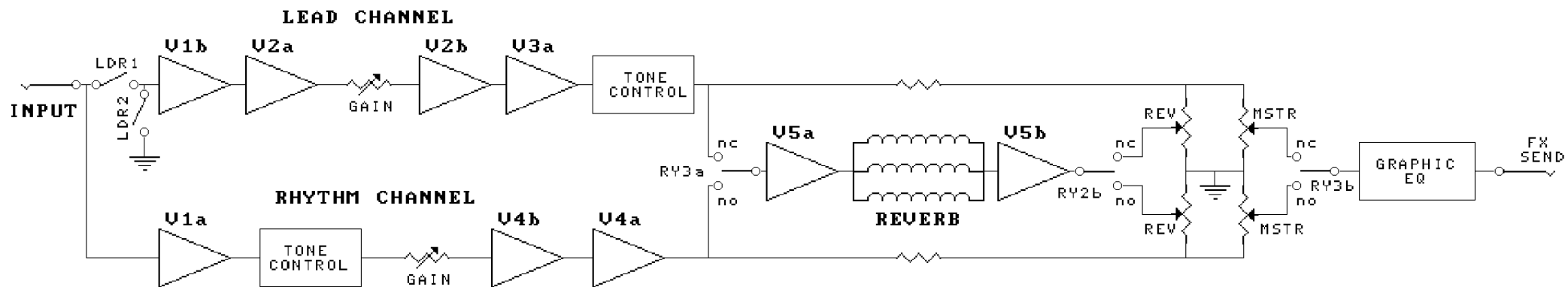


MESA-BOOGIE
DC5B
BLOCK DIAGRAM
 FILE DC5BBLOC.S01

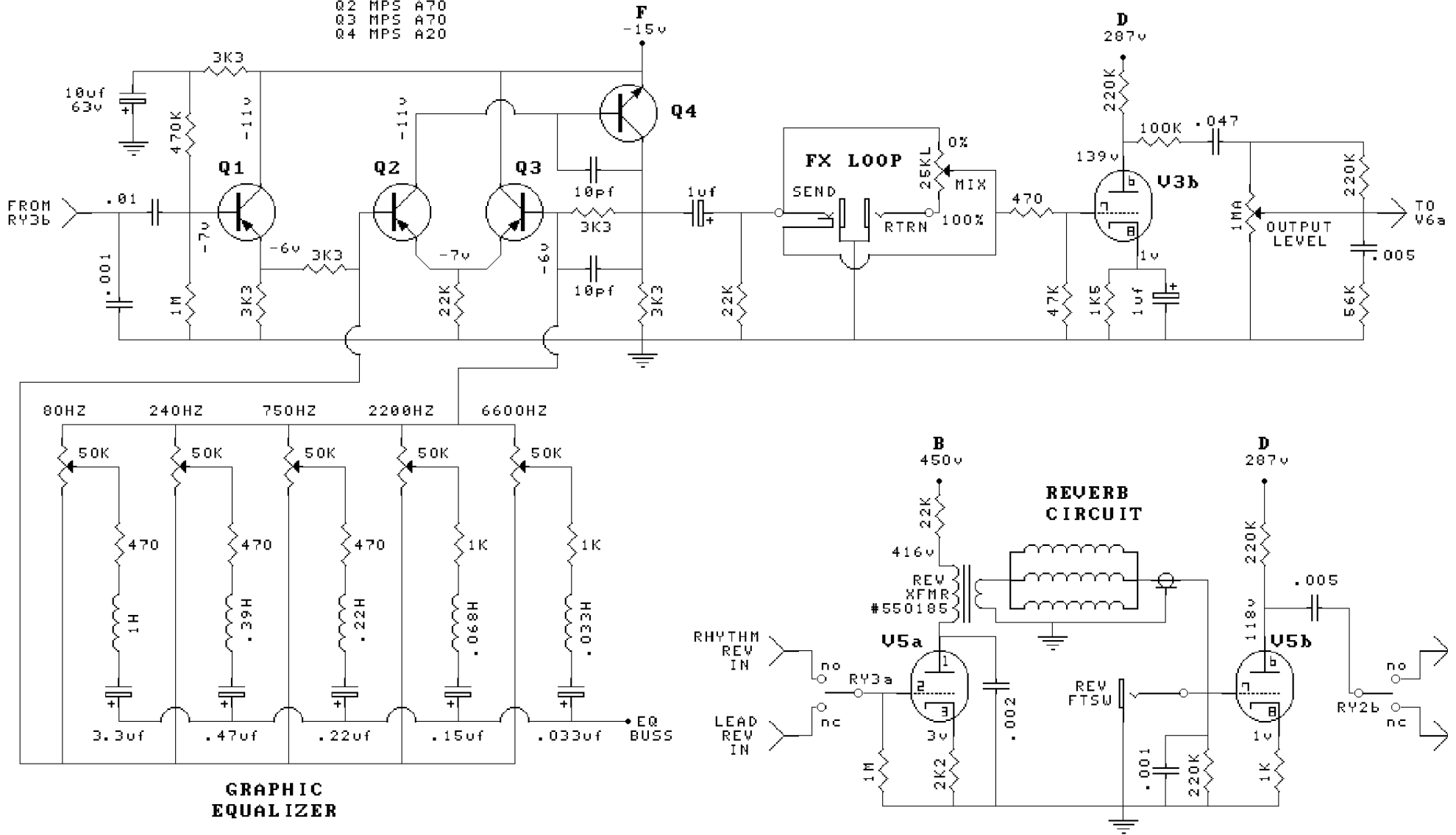


MESA-BOOGIE DC-5B

EQ
FX LOOP
REVERB

FILE DC5BEQ.S01

Q1 MPS A63
Q2 MPS A70
Q3 MPS A70
Q4 MPS A20

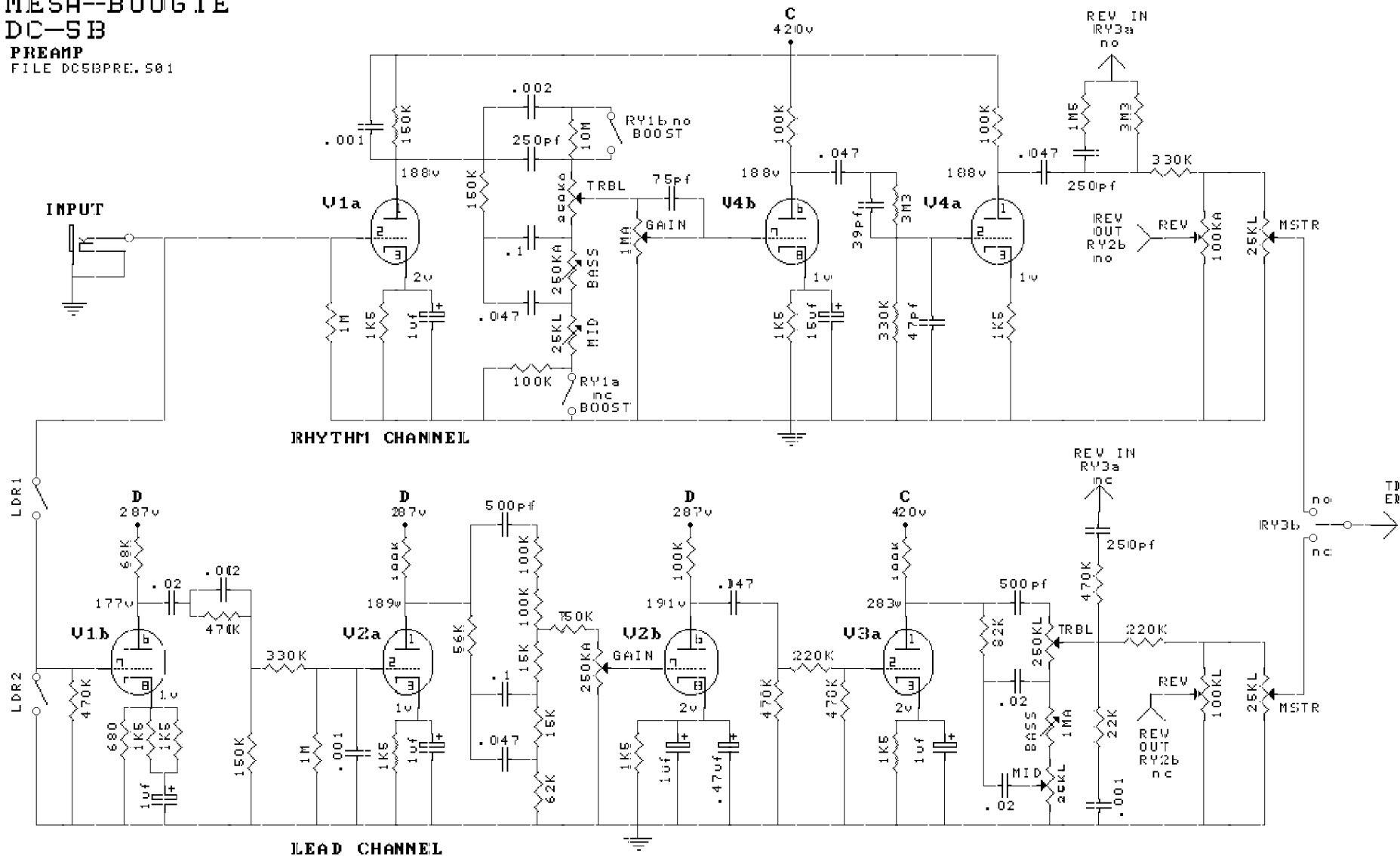


MESA-BOOGIE

DC-5B

PREAMP

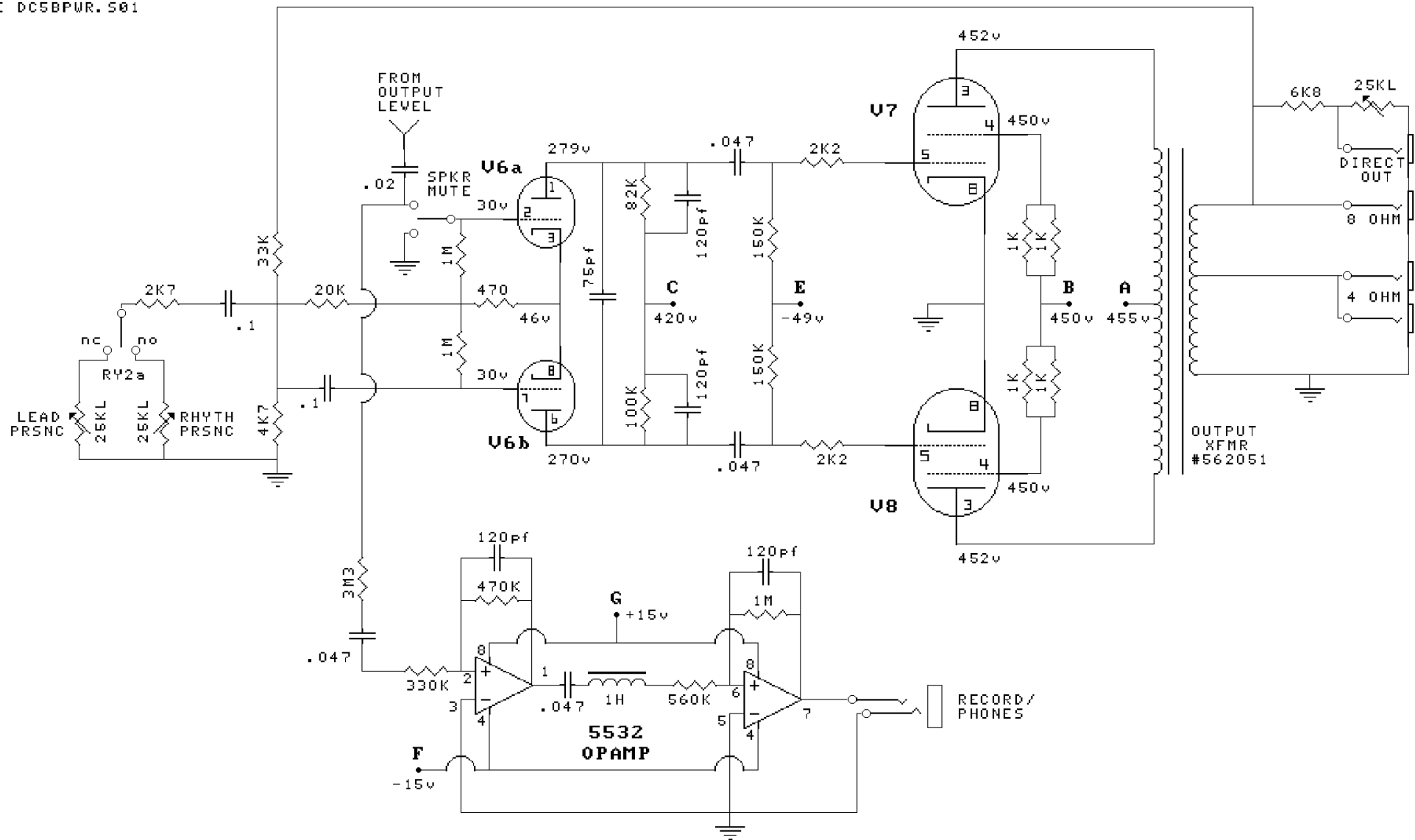
FILE DC5BPRE.S01



MESA-BOOGIE DC-5B

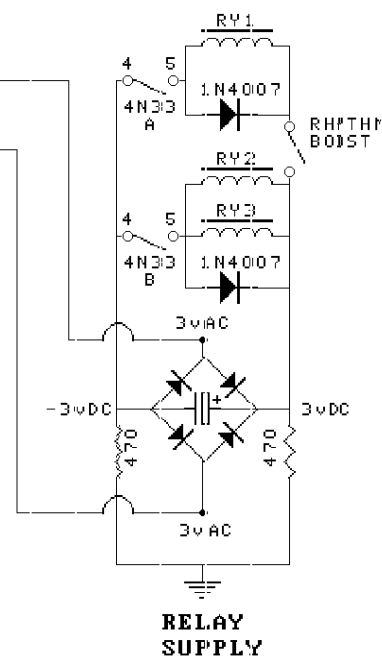
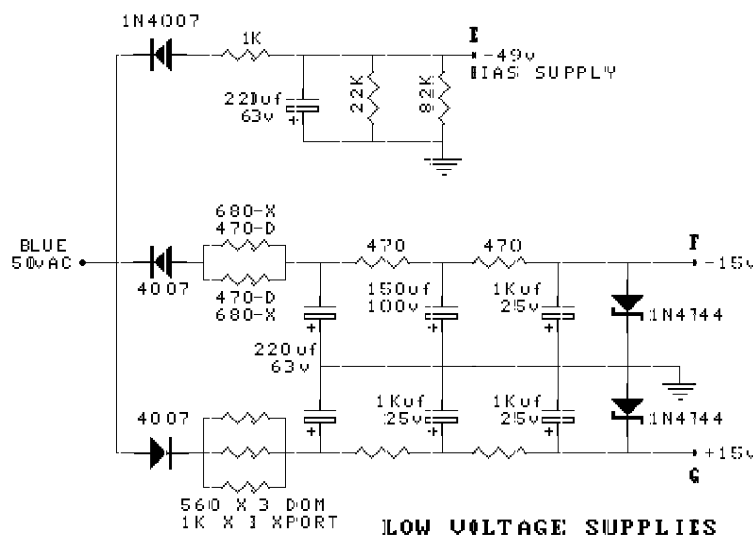
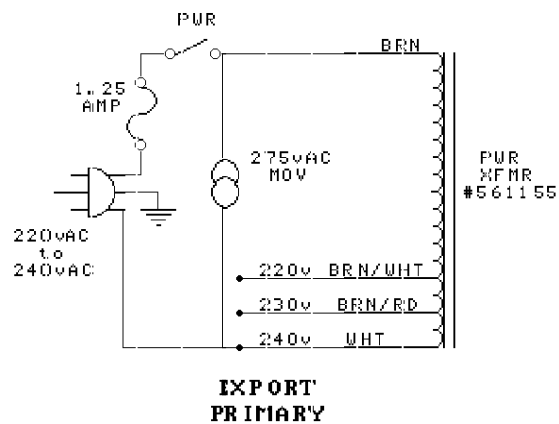
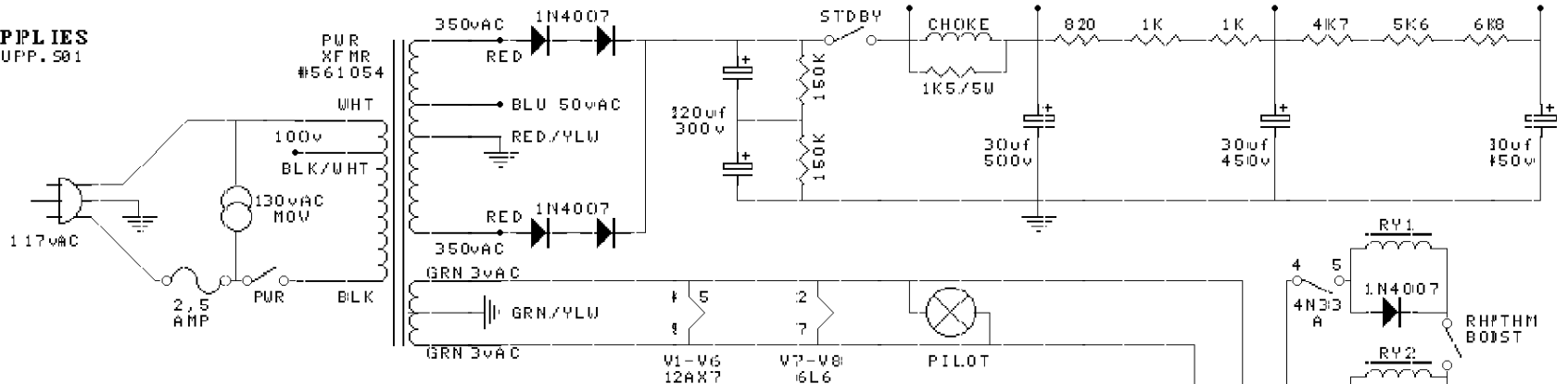
POWER AMP

FILE DC5BPWR.S01



MESA-BOOGIE DC-SB

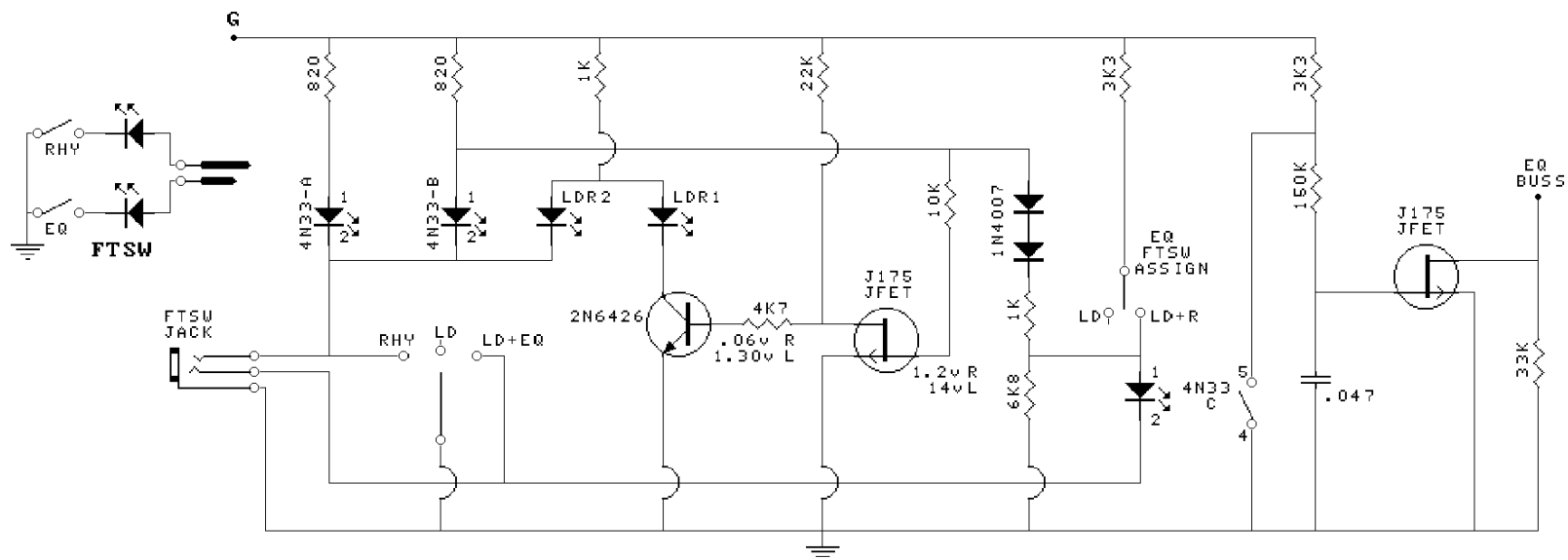
POWER SUPPLIES
FILE DC5BSUPP.501



MESA-BOOGIE
DC5B DC10

SWITCHING MATRIX

FILE DC5B5U.S01



RHYTHM: LDR2 ON (Ld Input Shunt)
 4N33A ON, Connects RY1 coil (Rhythm Boost) to -3v suppl
 4N33B ON, RY2 ON
 RY3 ON
 J175 ON = 2N6426 OFF = LDR1 (Ld Input) OFF

LEAD: 4N33A OFF
 4N33B OFF, RY2 OFF
 RY3 OFF
 LDR2 OFF
 J175 OFF = 2N6426 ON = LDR1 (Ld Input) ON

EQ: 4N33C ON = J175 ON = EQ Buss to Gnd.