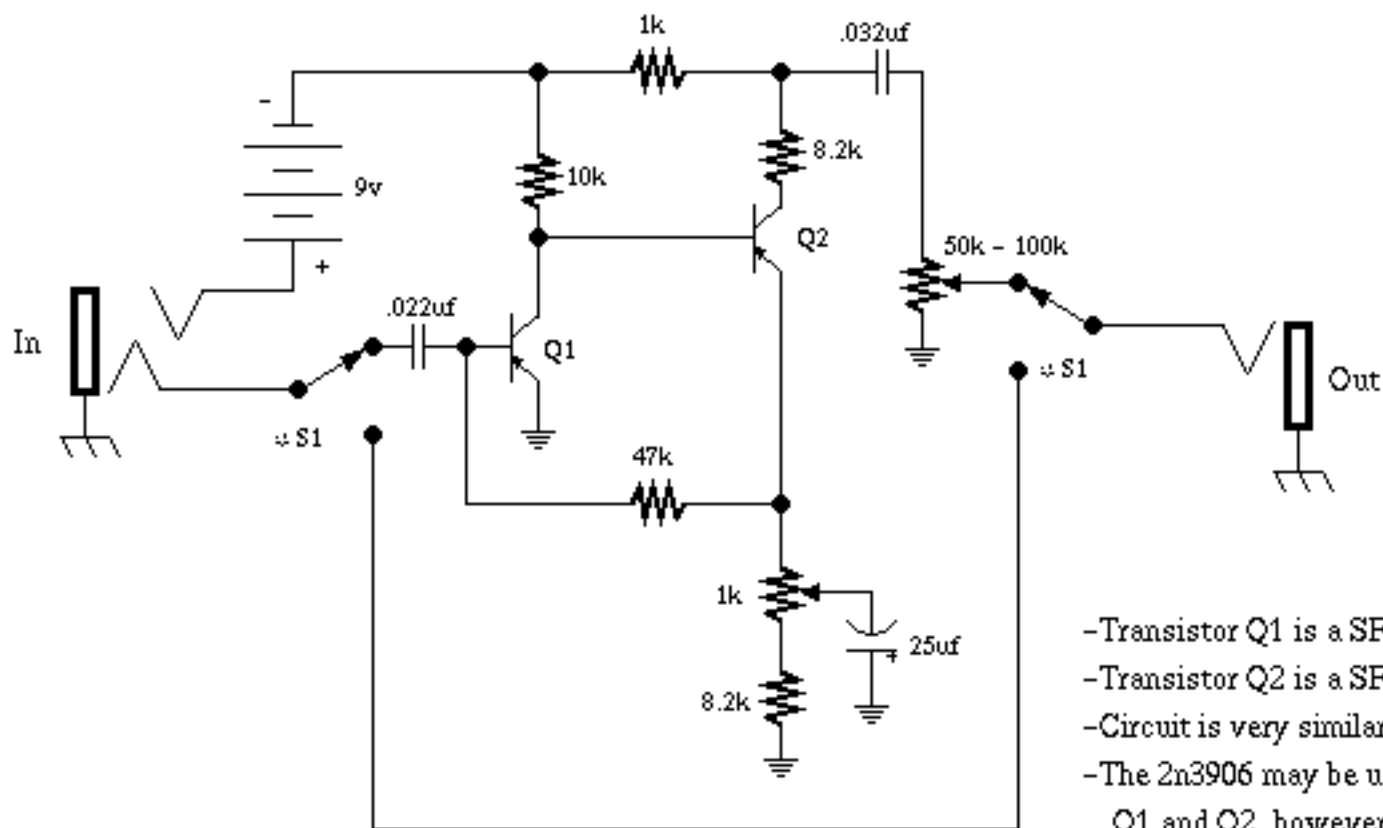


# Vox Tone Bender



- Transistor Q1 is a SFT 363
- Transistor Q2 is a SFT 337
- Circuit is very similar to "Fuzz Face"
- The 2n3906 may be used as a replacement for Q1 and Q2, however originals were probably germanium.