

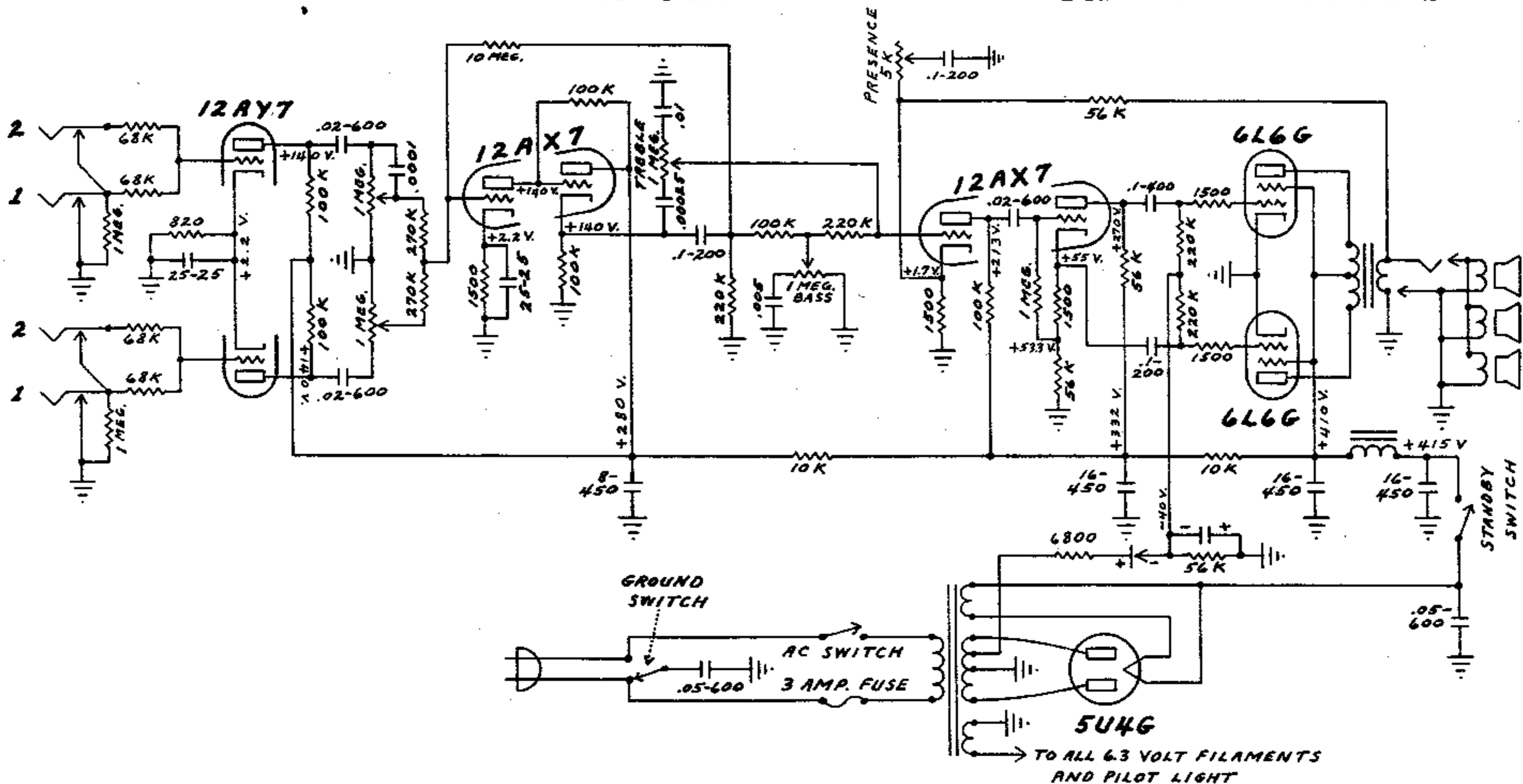
FENDER "BANDMASTER" SCHEMATIC

MODEL 5E7

E-EE

NOTICE

VOLTAGES READ TO GROUND
WITH ELECTRONIC VOLTMETER
VALUES SHOWN \pm OR $-$ 20%



FENDER "BANDMASTER" LAYOUT

MODEL 5E7

NOTICE

VOLTAGES READ TO GROUND
WITH ELECTRONIC VOLTMETER
VALUES SHOWN + OR - 20%

