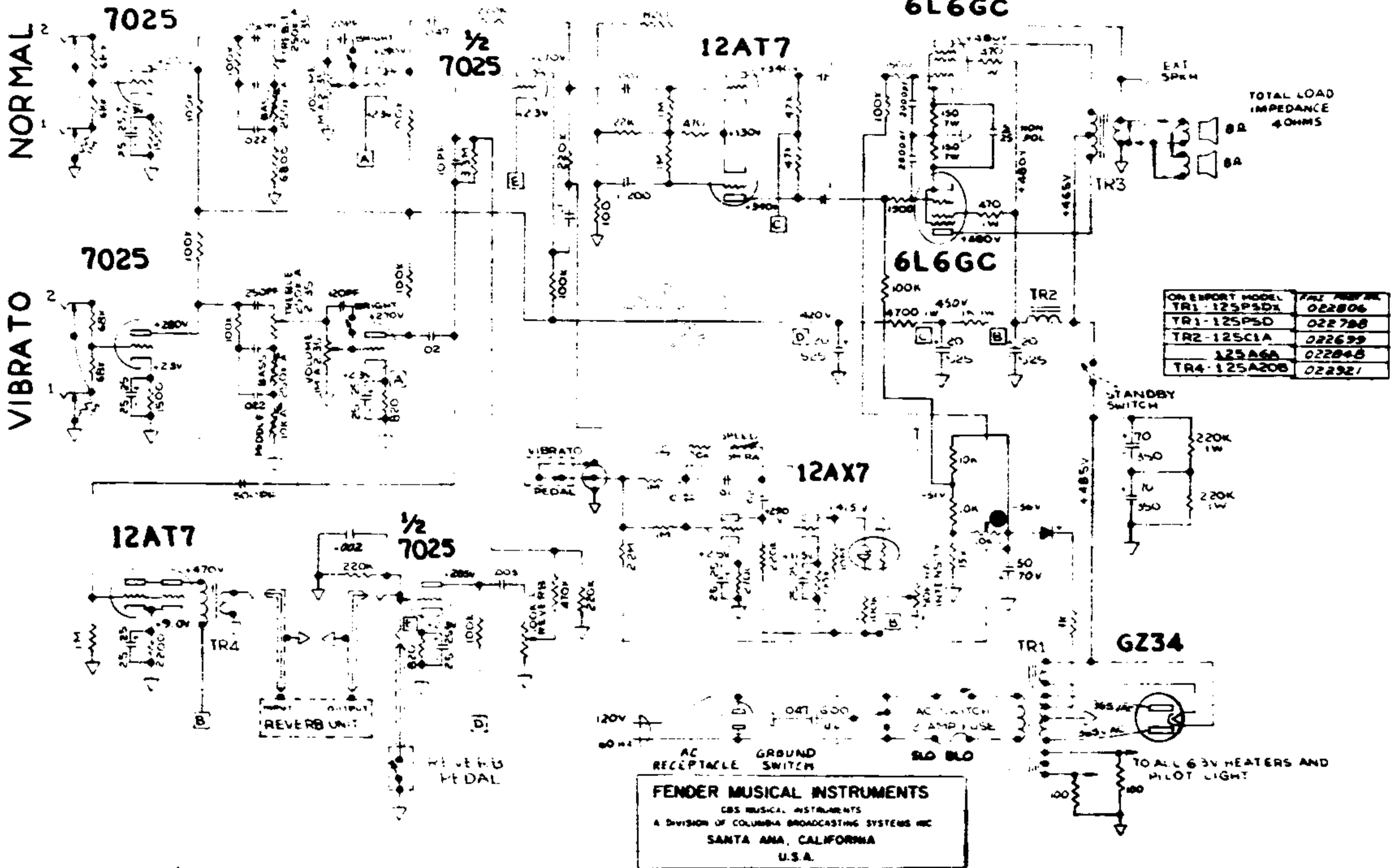


FENDER MODEL BANDMASTER-REVERB-AMP AA768 SCHEMATIC NOTICE

THIS SCHEMATIC IS THE PROPERTY OF FENDER MUSICAL INSTRUMENTS, INC. IT IS TO BE KEPT CONFIDENTIAL AND NOT REPRODUCED OR TRANSMITTED IN ANY FORM OR BY ANY MEANS, ELECTRONIC OR MECHANICAL, INCLUDING PHOTOCOPYING, RECORDING, OR BY ANY INFORMATION STORAGE AND RETRIEVAL SYSTEM. FENDER MUSICAL INSTRUMENTS, INC. IS NOT RESPONSIBLE FOR ANY REPRODUCTION OR TRANSMISSION OF THIS SCHEMATIC IN ANY FORM OR BY ANY MEANS, ELECTRONIC OR MECHANICAL, INCLUDING PHOTOCOPYING, RECORDING, OR BY ANY INFORMATION STORAGE AND RETRIEVAL SYSTEM. PATENT RIGHTS ARE RESERVED. CONTENTS PENDING.

1. ALL VOLTAGES ARE GIVEN WITH THE VIBRATO PEDAL GROUNDING AND NO INPUT SIGNAL.
2. ALL VOLTAGES ARE GIVEN WITH THE VIBRATO PEDAL GROUNDING AND NO INPUT SIGNAL.
3. ALL VOLTAGES ARE GIVEN WITH THE VIBRATO PEDAL GROUNDING AND NO INPUT SIGNAL.
4. ALL VOLTAGES READ WITH VIBRATO PEDAL GROUNDING AND NO INPUT SIGNAL.



FENDER MUSICAL INSTRUMENTS
CBS MUSICAL INSTRUMENTS
A DIVISION OF COLUMBIA BROADCASTING SYSTEMS INC
SANTA ANA, CALIFORNIA
U.S.A.

SCHEMATIC & WIRING DIAGRAM
BANDMASTER REVERB AMP AA768

REV	D	109223	REV
DATE		DESIGNED BY	SHEET 1 OF 2