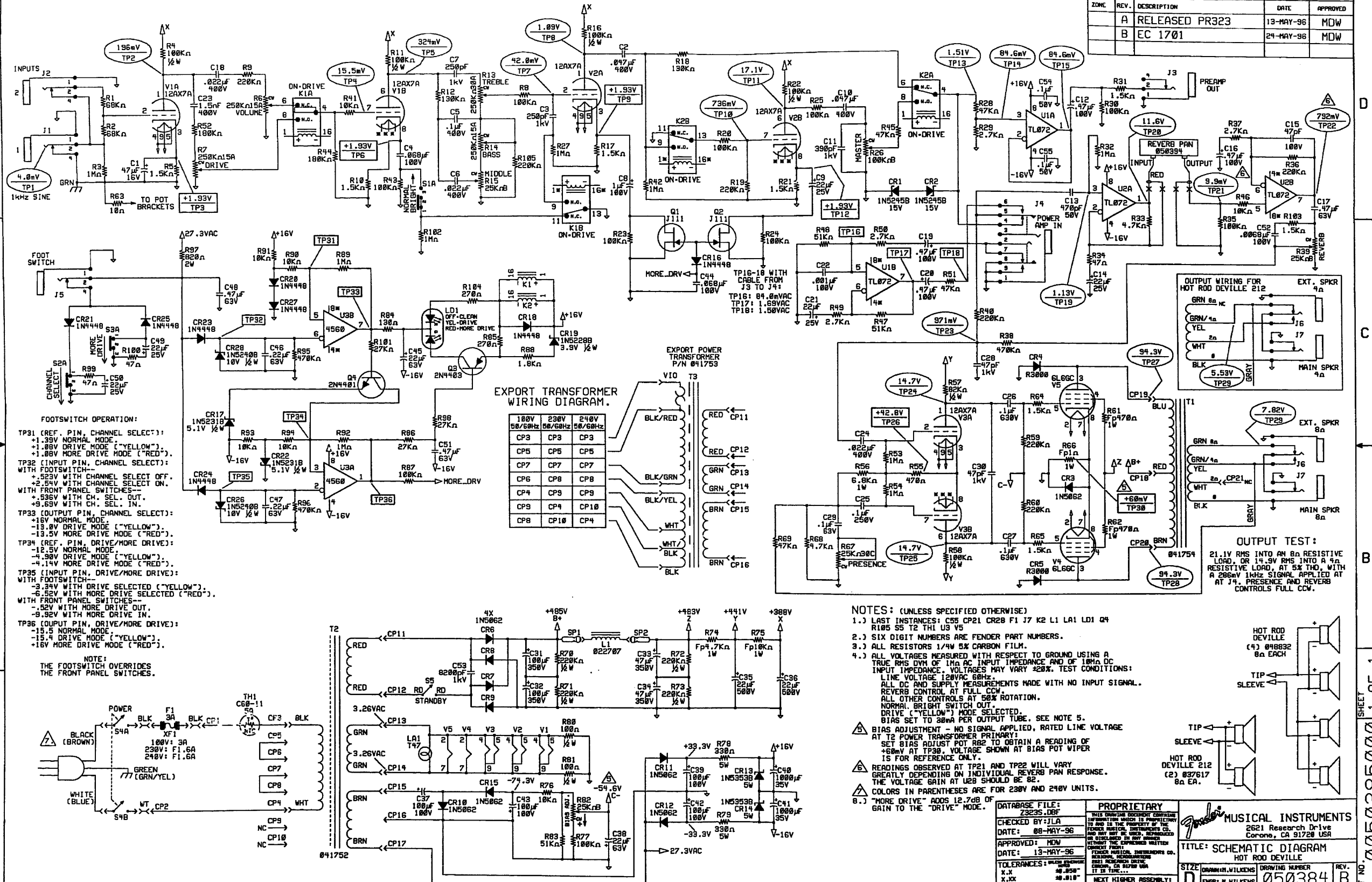


REVISIONS				
ZONE	REV.	DESCRIPTION	DATE	APPROVED
	A	RELEASED PR323	13-MAY-96	MDW
	B	EC 1701	24-MAY-96	MDW



FOOTSWITCH OPERATION:

TP31 (REF. PIN, CHANNEL SELECT):
 +1.35V NORMAL MODE
 +1.08V DRIVE MODE ("YELLOW")
 +1.08V MORE DRIVE MODE ("RED")

TP32 (INPUT PIN, CHANNEL SELECT):
 WITH FOOTSWITCH--
 +.925V WITH CHANNEL SELECT OFF.
 +2.54V WITH CHANNEL SELECT ON.
 WITH FRONT PANEL SWITCHES--
 +.536V WITH CH. SEL. OUT.
 +.639V WITH CH. SEL. IN.

TP33 (OUTPUT PIN, CHANNEL SELECT):
 +16V NORMAL MODE.
 -13.8V DRIVE MODE ("YELLOW").
 -13.5V MORE DRIVE MODE ("RED").

TP34 (REF. PIN, DRIVE/MORE DRIVE):
 -12.5V NORMAL MODE.
 -4.90V DRIVE MODE ("YELLOW").
 -4.14V MORE DRIVE MODE ("RED").

TP35 (INPUT PIN, DRIVE/MORE DRIVE):
 WITH FOOTSWITCH--
 -3.34V WITH DRIVE SELECTED ("YELLOW").
 -6.52V WITH MORE DRIVE SELECTED ("RED").
 WITH FRONT PANEL SWITCHES--
 -.62V WITH MORE DRIVE OUT.
 -.92V WITH MORE DRIVE IN.

TP36 (OUTPUT PIN, DRIVE/MORE DRIVE):
 -15.5 NORMAL MODE.
 -15.4 DRIVE MODE ("YELLOW").
 +16V MORE DRIVE MODE ("RED").

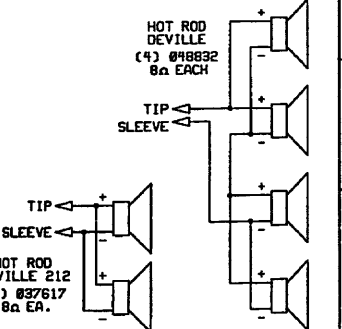
NOTE:
 THE FOOTSWITCH OVERRIDES THE FRONT PANEL SWITCHES.

EXPORT TRANSFORMER WIRING DIAGRAM.

100V	230V	240V
CP3	CP3	CP3
CP5	CP5	CP5
CP7	CP7	CP7
CP6	CP8	CP8
CP4	CP9	CP9
CP8	CP10	CP4

- NOTES: (UNLESS SPECIFIED OTHERWISE)**
- 1.) LAST INSTANCES: C55 CP21 CR28 F1 J7 K2 L1 LA1 LD1 Q4 R105 S5 T2 TH1 U3 V5
 - 2.) SIX DIGIT NUMBERS ARE FENDER PART NUMBERS.
 - 3.) ALL RESISTORS 1/4W 5% CARBON FILM.
 - 4.) ALL VOLTAGES MEASURED WITH RESPECT TO GROUND USING A TRUE RMS DVM OF 1MΩ AC INPUT IMPEDANCE AND OF 10MΩ DC INPUT IMPEDANCE. VOLTAGES MAY VARY ±20%. TEST CONDITIONS: LINE VOLTAGE 120VAC 60Hz. ALL DC AND SUPPLY MEASUREMENTS MADE WITH NO INPUT SIGNAL. REVERB CONTROL AT FULL CCW. ALL OTHER CONTROLS AT 50% ROTATION. NORMAL BRIGHTNESS SWITCH DRIVE ("YELLOW") MODE SELECTED. BIAS SET TO 28mA PER OUTPUT TUBE. SEE NOTE 5.
 - 5.) BIAS ADJUSTMENT - NO SIGNAL APPLIED, RATED LINE VOLTAGE AT T2 POWER TRANSFORMER PRIMARY! SET BIAS ADJUST POT R82 TO OBTAIN A READING OF +68mV AT TP30. VOLTAGE SHOWN AT BIAS POT WIPER IS FOR REFERENCE ONLY.
 - 6.) READINGS OBSERVED AT TP21 AND TP22 WILL VARY GREATLY DEPENDING ON INDIVIDUAL REVERB PAN RESPONSE. THE VOLTAGE GAIN AT U2B SHOULD BE 82.
 - 7.) COLORS IN PARENTHESES ARE FOR 230V AND 240V UNITS.
 - 8.) "MORE DRIVE" ADDS 12.7dB OF GAIN TO THE "DRIVE" MODE.

OUTPUT TEST:
 21.1V RMS INTO AN 8Ω RESISTIVE LOAD, OR 14.9V RMS INTO A 4Ω RESISTIVE LOAD, AT 5% THD, WITH A 286mV 1kHz SIGNAL APPLIED AT J4. PRESENCE AND REVERB CONTROLS FULL CCW.

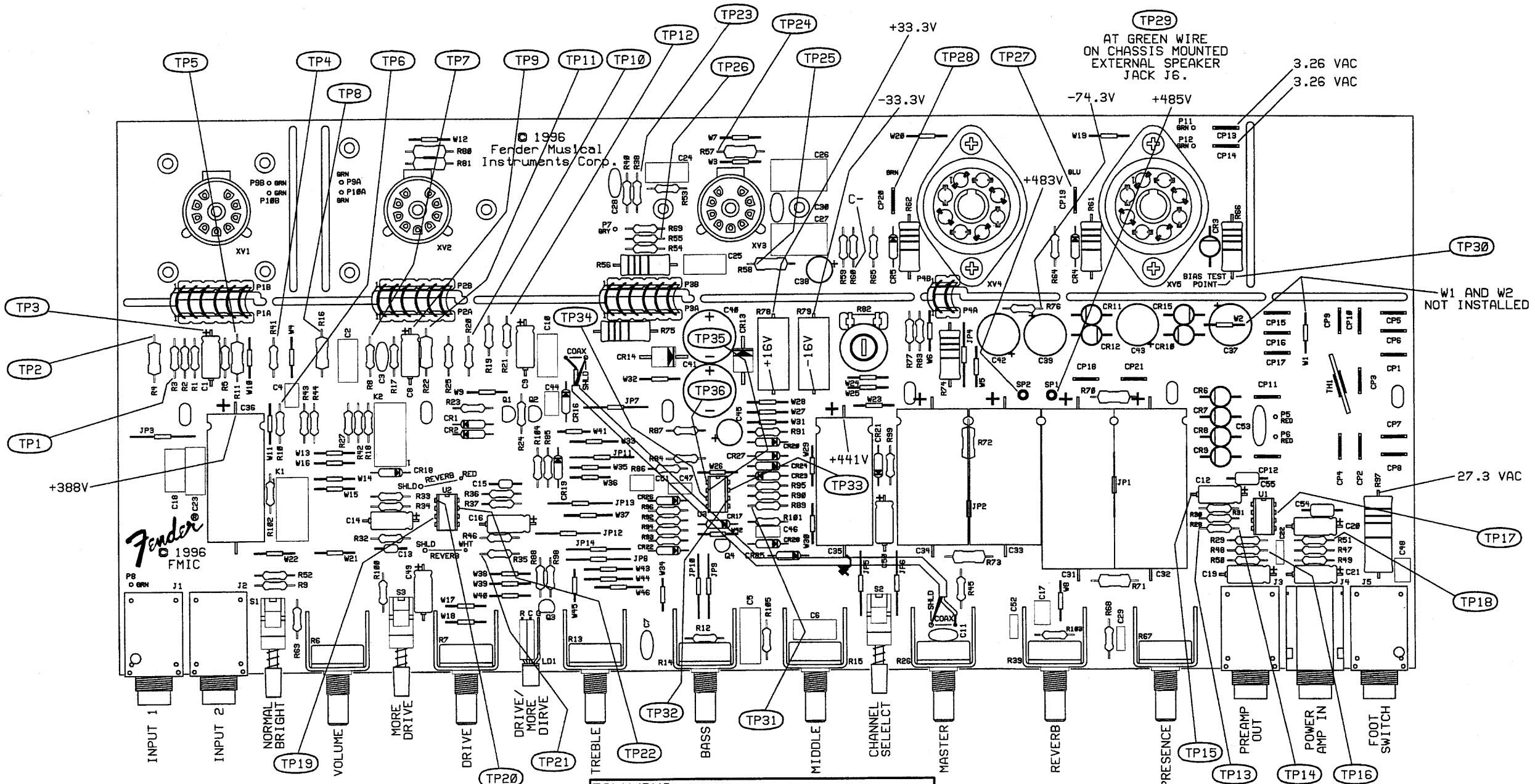


DATABASE FILE: 73235.DBF CHECKED BY: JLA DATE: 08-MAY-96 APPROVED: MDW DATE: 13-MAY-96 TOLERANCES: UNLESS SPECIFIED: X.X .1% X.XX .1% X.XXX .1% ANGLES .500°	PROPRIETARY THIS DRAWING DOCUMENT CONTAINS INFORMATION WHICH IS PROPRIETARY TO AND IS THE PROPERTY OF THE FENDER MUSICAL INSTRUMENTS CO. NO PART OF THIS DOCUMENT IS TO BE REPRODUCED OR TRANSMITTED IN ANY FORM OR BY ANY MEANS, WITHOUT THE EXPRESS WRITTEN CONSENT FROM FENDER MUSICAL INSTRUMENTS CO. FENDER MUSICAL INSTRUMENTS CO. NATIONAL HEADQUARTERS 2621 Research Drive Corona, CA 91720 USA TITLE: SCHEMATIC DIAGRAM HOT ROD DEVIILE SIZE: DRAWN BY: WILKENS DRAWING NUMBER: 050384 B REV.: 1 SCALE: NONE PLOTTED: 12-JUN-96 SHEET 1 OF 1
--	--

PART NO. 0503850001 OF 1 SHEET

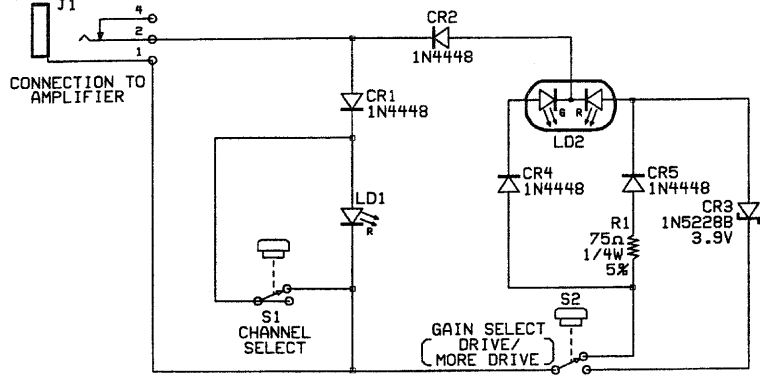
REVISIONS				
ZONE	REV.	DESCRIPTION	DATE	APPROVED
	A	RELEASED PR323	13-MAY-96	MDW

NOTES:
1.) WIRES NOT SHOWN FOR CLARITY.



FILM/DWG: SERVICE DIAGRAM
 DATABASE: Z323P.DBF DATE: 28-APR-96
 LAYERS PLOTTED: 1 2 3 4 10 18

SCHEMATIC FOR FOOTSWITCH ASSEMBLY 050419.



DATABASE FILE: Z323P.DBF

CHECKED BY: JLA

DATE: 08-MAY-96

APPROVED: MDW

DATE: 13-MAY-96

TOLERANCES: UNLESS OTHERWISE NOTED

X.X	±0.050"
X.XX	±0.010"
X.XXX	±0.005"
ANGLES	±0.500°

PROPRIETARY

THIS DRAWING DOCUMENT CONTAINS INFORMATION WHICH IS PROPRIETARY TO AND IS THE PROPERTY OF THE FENDER MUSICAL INSTRUMENTS CO. AND MAY NOT BE USED, REPRODUCED OR DISCLOSED IN ANY MANNER WITHOUT THE EXPRESSED WRITTEN CONSENT FROM: FENDER MUSICAL INSTRUMENTS CO. REGIONAL HEADQUARTERS 2621 RESEARCH DRIVE CORONA, CA 91726 USA IT IS TIME...

NEXT HIGHER ASSEMBLY:

Fender MUSICAL INSTRUMENTS
 2621 Research Drive
 Corona, CA 91720 USA

TITLE: SERVICE DIAGRAM
 H/R DEVILLE, H/R DEVILLE 212.

SIZE	DRAWN: M. WILKENS	DRAWING NUMBER	REV.
C	ENGR: M. WILKENS	050386	A

SCALE: NONE

CREATED: 07-MAY-96
 PLOTTED: 28-APR-96

SHEET 1 OF 1