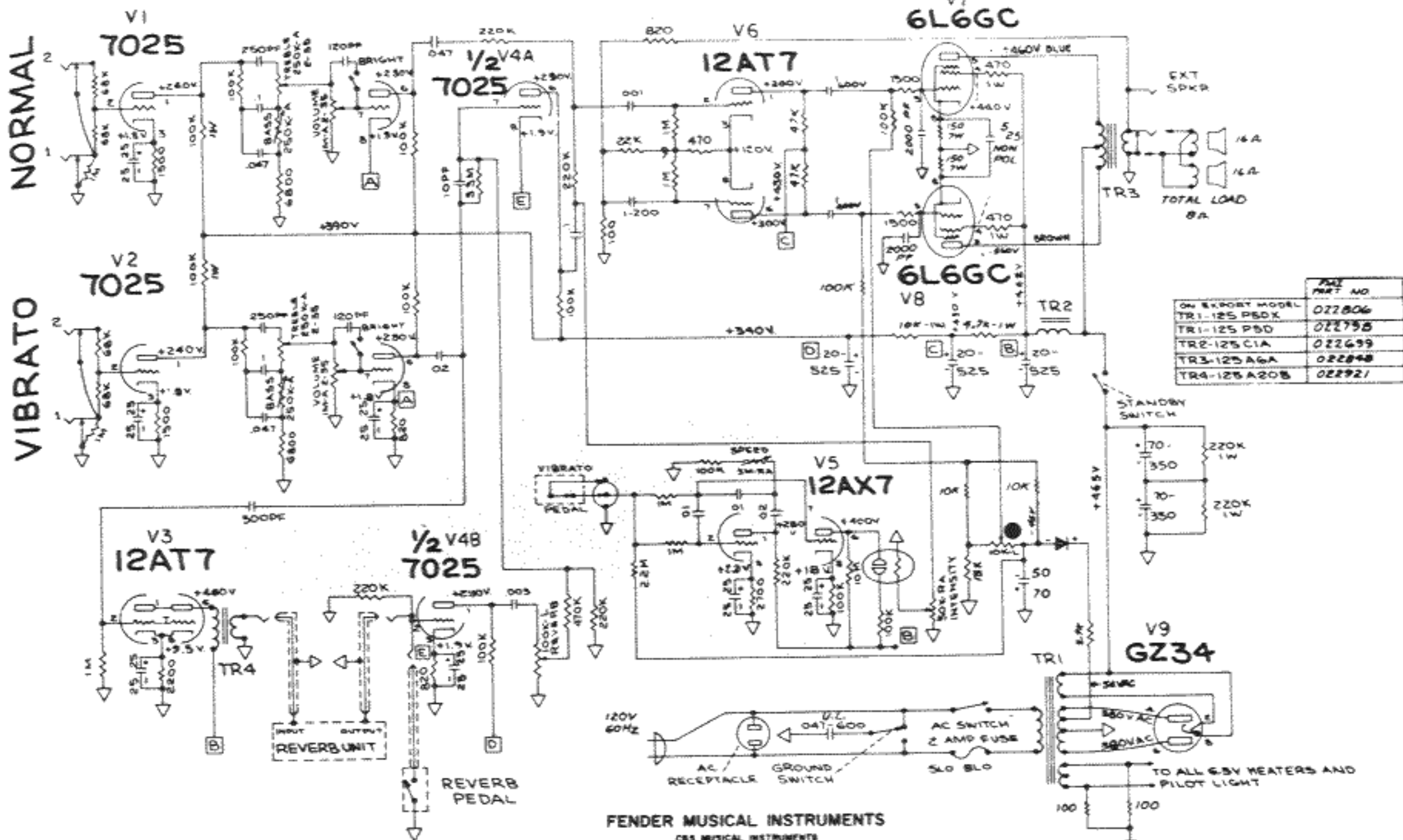


# FENDER "PRO-REVERB-AMP AB668" SCHEMATIC

## NOTICE

THIS PRODUCT MANUFACTURED UNDER ONE OR MORE OF THE FOLLOWING U.S. PATENTS -  
 CIRCUIT PATENT # 2811108, # 2973491  
 DESIGN PATENT # 192858  
 PATENTS PENDING

1 VOLTAGES READ TO GROUND WITH ELECTRONIC VOLTMETER VALUES SHOWN ± 0% - 20% VARIATION FROM GND  
 2 ALL RESISTORS 1/2 WATT 10% TOLERANCE IF NOT SPECIFIED  
 3 ALL CAPACITORS AT LEAST 400 VOLT RATING IF NOT SPECIFIED



| TRANSFORMER MODEL | PART NO. |
|-------------------|----------|
| TR1-125 P50X      | 022806   |
| TR1-125 P50       | 022758   |
| TR2-125 C1A       | 022699   |
| TR3-125 A6A       | 022848   |
| TR4-125 A20B      | 022921   |

FENDER MUSICAL INSTRUMENTS  
 CBS MUSICAL INSTRUMENTS  
 A DIVISION OF COLUMBIA BROADCASTING SYSTEMS INC.  
 SANTA ANA, CALIFORNIA  
 U.S.A.

|                                                                 |           |      |                             |                                              |
|-----------------------------------------------------------------|-----------|------|-----------------------------|----------------------------------------------|
| OWN                                                             | R.R. Lamm | DATE | 7/25/68                     | MUSICAL INSTRUMENTS<br>SANTA ANA, CALIFORNIA |
| CHK                                                             |           | BY   |                             |                                              |
| APPD.                                                           |           | BY   |                             |                                              |
| APPD.                                                           |           | BY   |                             |                                              |
| DWG TITLE<br>SCHEMATIC & WIRING DIAGRAM<br>PRO-REVERB-AMP AB668 |           |      |                             |                                              |
| APPROVAL -                                                      | REL. NO.  | REV. | DWG. NO.                    | REV.                                         |
|                                                                 | 480       | D    | 047753                      | B                                            |
| APPROVAL -                                                      | SCALE     | MODE | POL. OVERS. AMP. LIGHT TYPE | SHEET / OF 2                                 |
|                                                                 |           |      |                             |                                              |