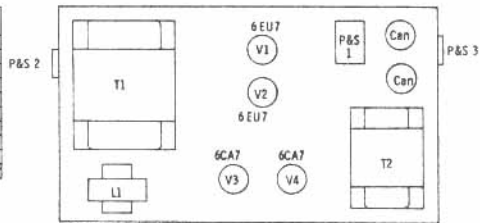
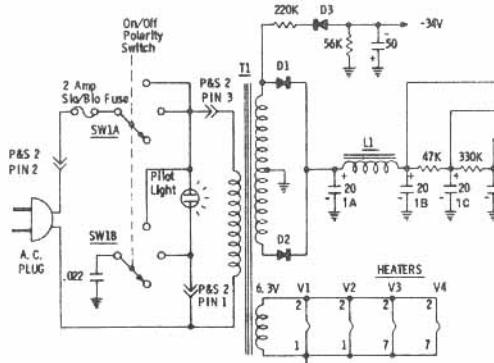


PIN	V1	V2	V3	V4
1	Heater	Heater	Heater	Heater
2	Heater	Heater	Heater	Heater
3			+420V	+420V
4	+1.3V	+20V	+415V	+415V
5	0	+63V	-24V	-26V
6	+135V	+242V		
7	+93V	+260V	Heater	Heater
8	0	+65V	0	0
9	+85V	+20V		

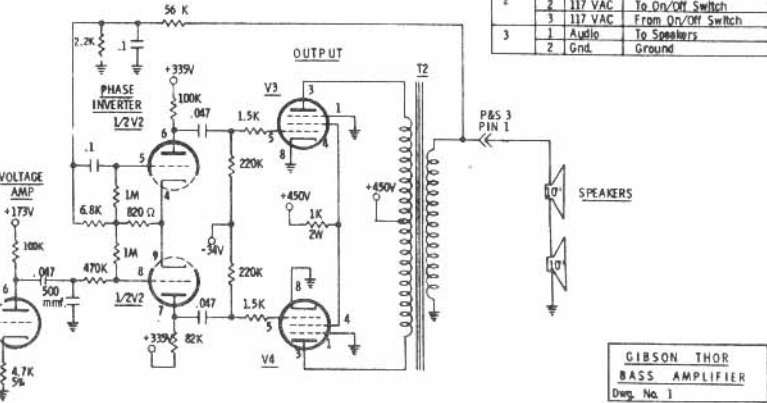
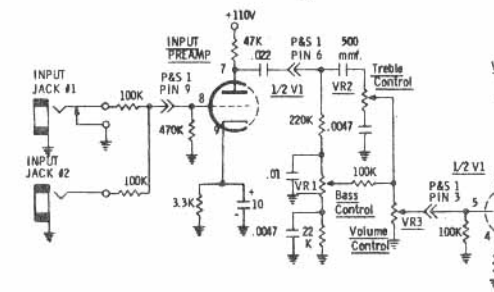


POWER SUPPLY



PLUG & SOCKET CONNECTIONS

P&S No.	PIN No.	Voltage	Information
1	1	-	Not used
	2	Gnd.	Ground
	3	Audio	From Controls
	4	-	Not used
	5	Gnd.	Ground
	6	Audio	To Controls
	7	-	Not used
	8	Gnd.	Ground
	9	Audio	To Input Preamp
2	1	117 VAC	To Pilot Light
	2	117 VAC	To On/Off Switch
	3	117 VAC	From On/Off Switch
3	1	Audio	To Speakers
	2	Gnd.	Ground



**GIBSON THOR
BASS AMPLIFIER
Des. No. 1**

For Parts Call
Parts is Parts
800-590-0014
802-464-0014
info@guitar-parts.com
http://www.guitar-parts.com

PARTS LIST

Part	Description	Schematic Reference	Part Number
Transformer	Power.....	T-1.....	954-003622
Transformer	Output.....	T-2.....	955-003623
Choke	L-1.....	956-003624
Diode	Dual Rectifier.....	D1-D2.....	919-012414
Diode	Rectifier.....	D3.....	919-003517
Switch	Polarity.....	SW-1A&B.....	960-012430
Speakers	10".....	985-003631
Potentiometer	Volume Control 1 Meg-L.....	925-003525
Potentiometer	Bass Control 2 Meg-L.....	925-003529
Potentiometer	Treble Control 2 Meg-A.....	925-003559
Capacitor	Filter, 50 Mfd 50V.....	945-003627
Capacitor	Filter, 20-20-20-475V.....	C1 AB&C.....	945-003626
Capacitor	Filter, 20-20-20-475V.....	C2 AB&C.....	945-003626