

# Rick-Tone

MAKE / MODEL  
Rick-Tone Type 18 "Cupid"

DESCRIPTION  
Amplifier for Electric Guitar  
(Redrawn on computer from old hand drawings circa 1980's to present. This rev APR-2006.)

DRAWING TYPE  
Electrical Schematic

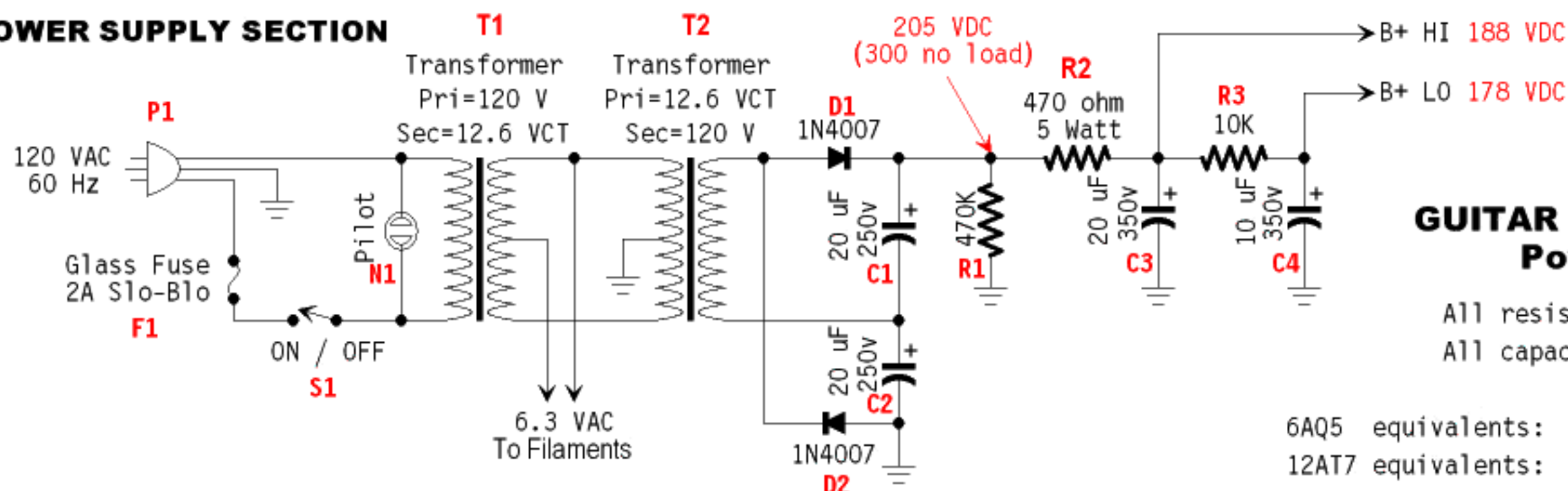
DRAWN BY  
Rick Campbell

**PLEASE NOTE:** Rick-Tone amplifiers underwent many changes and improvements over the time span that they were produced, and most were custom-tailored to individual owner's tastes. While this drawing may serve as a general overview for the circuit of this type/model of amplifier, it is unlikely that the circuit of your individual Rick-Tone amplifier will match this drawing in every detail.

**CAUTION! ELECTRICAL SHOCK HAZARD:** Vacuum tube circuits can contain dangerous high voltage electricity that can be harmful or even lethal if appropriate safety measures are not observed. Dangerous voltages may even still be present when the unit is turned off and unplugged. Do not attempt to repair, modify, touch, or build such circuits without proper training.

**DISCLAIMER:** This diagram is provided for informational/educational use only. Any use is AT YOUR OWN RISK. The authors and distributors of this diagram disclaim any and all liability for consequences of your use of this drawing and its contents.

## POWER SUPPLY SECTION



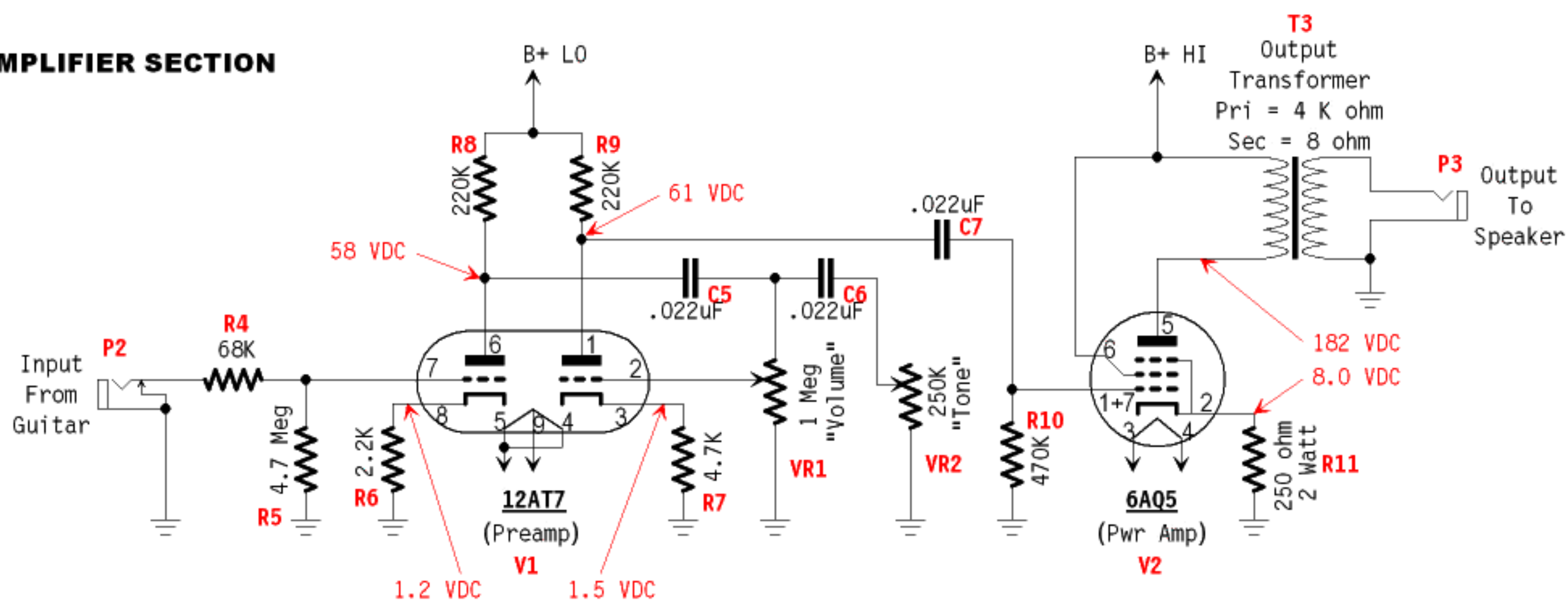
## GUITAR PRACTICE/RECORDING AMPLIFIER

Power output approx. 2.5 Watts

All resistors are 1/4 watt unless otherwise marked.  
All capacitors are 400v unless otherwise marked.

6AQ5 equivalents: 6005 (Mil) or EL90 (European), 6L31 (Soviet)  
12AT7 equivalents: ECC81 or ECC801 (European)

## AMPLIFIER SECTION



Voltages measured with nosignal in, volume and tone controls at 50%.

NOTE: Preamp biasing, coupling and bypass components varied between units.