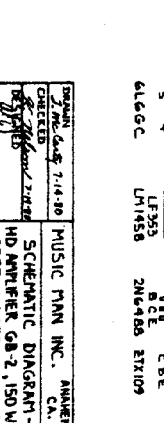
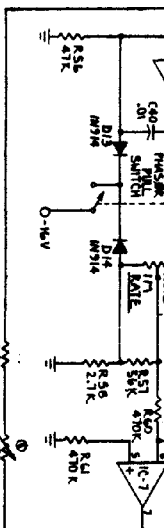
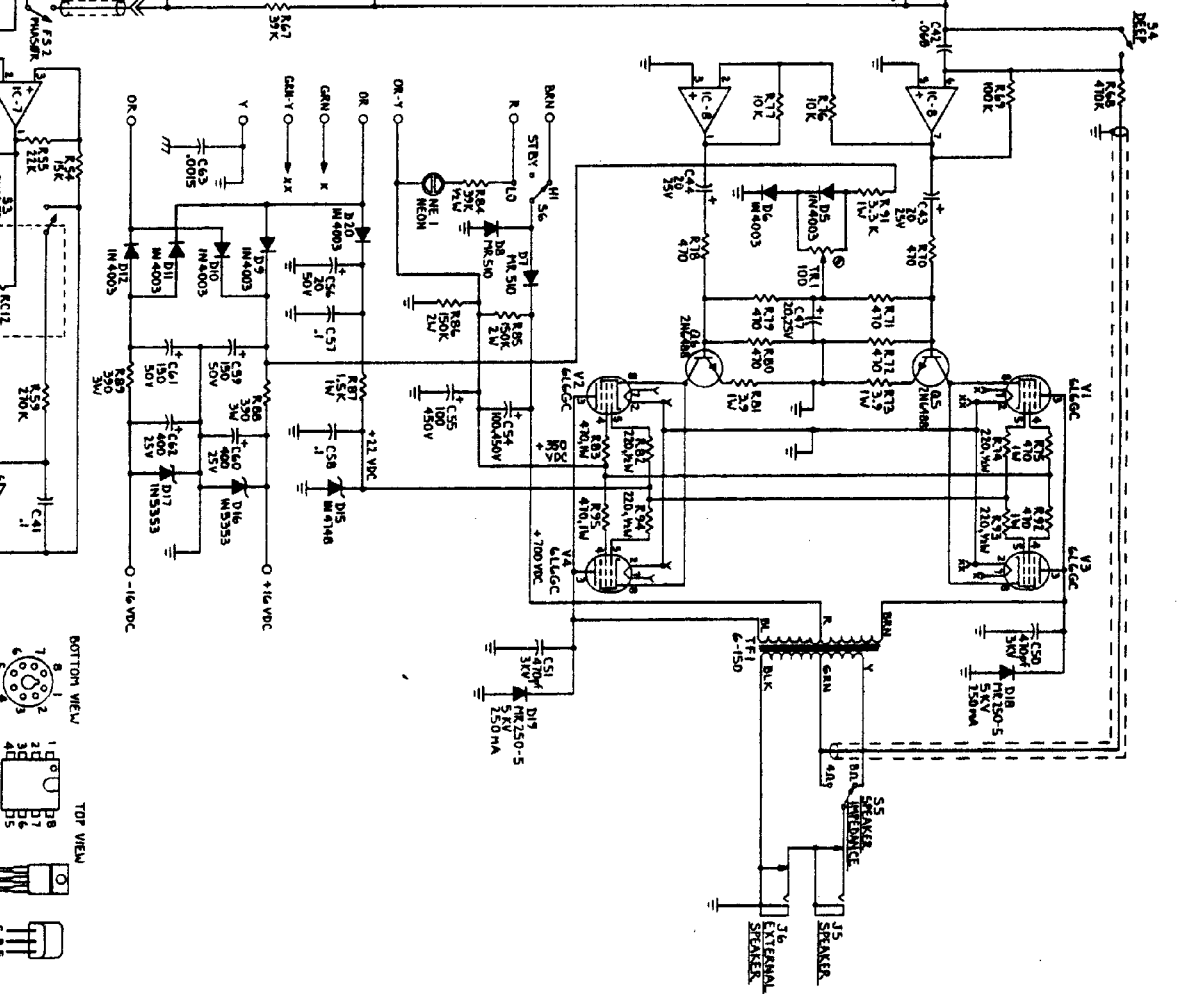
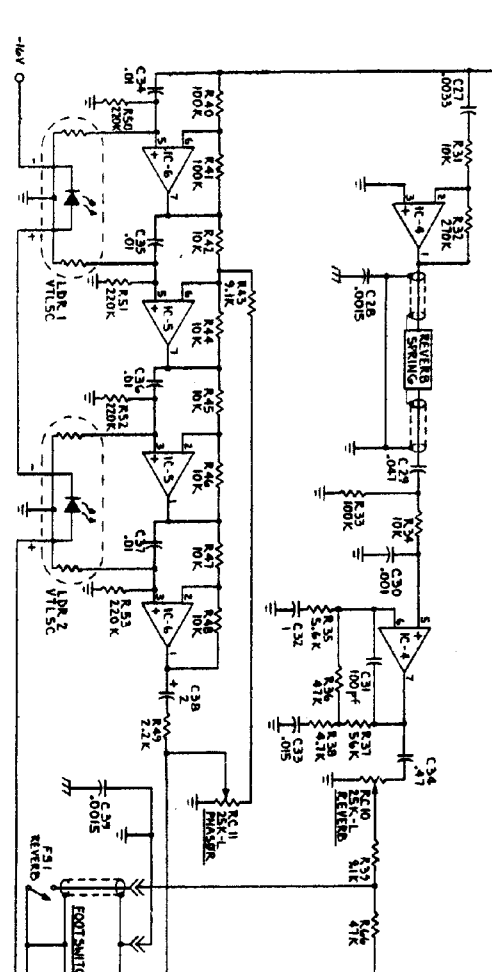
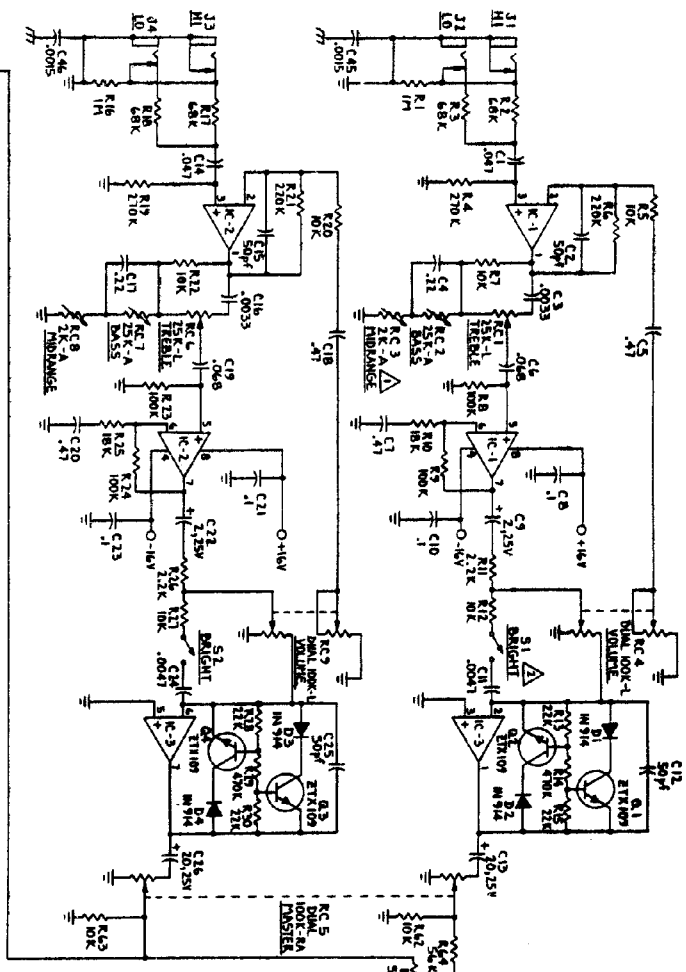




# Amplifier Schematics

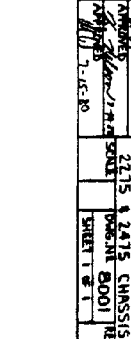
Chassis Numbers: 2475-150  
2275-150

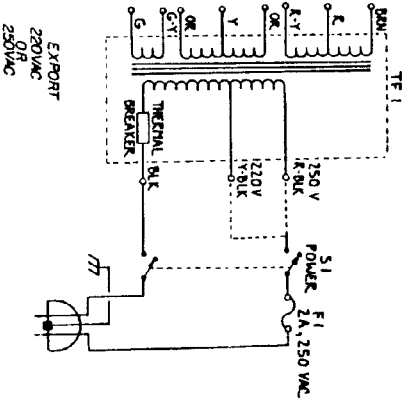
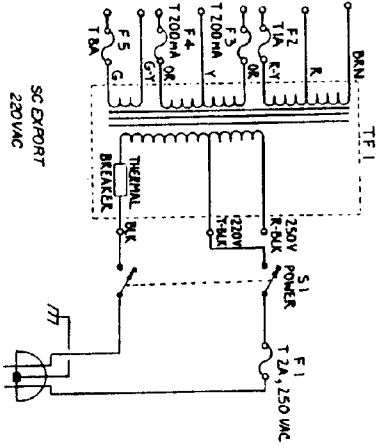
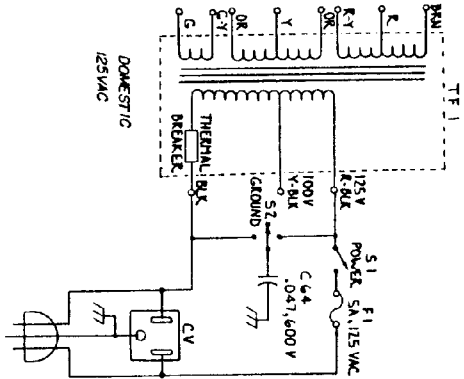
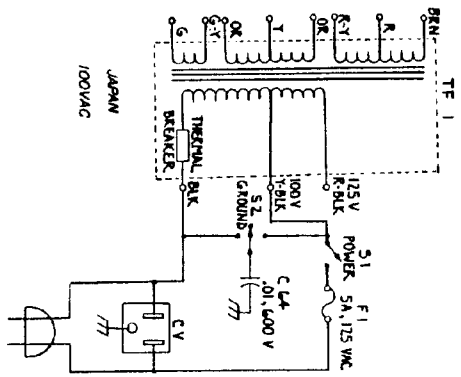


NOTE:  $\Delta$  ON 1275 CHASSIS, REPLACE INDUCTOR CONTROL RC3 WITH 820  $\Omega$  RESISTOR.

5. IC'S 5, 6, & 7 ARE LM1458; ALL OTHERS ARE LF353 OR TL072.  
 4. ALL CAPACITANCE VALUES ARE IN MICROFARADS ( $\mu$ F) EXCEPT WHERE NOTED.  
 3. ALL RESISTANCE VALUES ARE IN OHMS ( $\Omega$ ), 1/4 WATT, EXCEPT WHERE NOTED.  
 $\Delta$  ON 1275 CHASSIS, ELIMINATE BRACKET SWITCH S1, 10K RESISTOR R12, & .0047  $\mu$ F CAPACITOR C11.

SCHEMATIC DIAGRAM - HD AMPLIFIER GR-7, 150 W 2275 & 2475 CHASSIS PAGES 1 & 2	MUSIC MAN INC., AMMERMEN, CA.
DATE: 7-14-80	BY: [Signature]
DESIGNED BY: [Signature]	CHECKED BY: [Signature]
APPROVED BY: [Signature]	DATE: 7-14-80
7-14-80	





T.F. 1 PART NUMBERS  
 100-65 — 6.5 W, 75 W, 100-125 VAC  
 100-65-250 — 6.5 W, 75 W, 220-250 VAC  
 200-130 — 100 W, 150 W, 100-115 VAC  
 200-130-250 — 100 W, 150 W, 220-250 VAC

POWER TRANSFORMER DIAGRAM

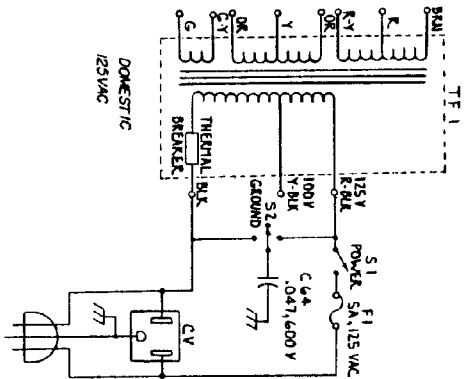
MUSIC MAN INC.

ANN ARBOR, MI

5002

RD and RP 65 and 100 SERIES PARTS LIST

- Output Transformer- 65 Watt
- Output Transformer- 100 Watt
- Power Transformer - 65 Watt
- Power Transformer - 100 Watt
- Tubes 6L6
- Tubes 6CA7 (older models)
- Tube socket, 8 pin
- Filter cover
- Pilot light assembly
- Control knob- black- 0-10
- Fuse 3A 125V- S10-b10
- Fuse cap (push type)
- Fuseholder (screw-in type)
- Switch, toggle SPST (standby)
- Switch, toggle SPST (power)
- Control, /00K RA (gain)
- Diode IN 4748
- Diode HV 50
- Diode IN 5353 (replaces MR250-5)
- Diode MR 510
- Transistor ZTX 109
- Transistor JH 1692 (2N6292)
- IC TLO72 (LF-353)
- IC MCI 40538
- IC MC 1458
- IC MC 4016B
- Reverb Pan
- Reverb input transducer
- Reverb output transducer
- Speaker 10" G/HD
- Speaker 10" Electro-Voice
- Speaker 12" C12G
- Speaker 12" Electro-Voice
- Speaker 15" Electro-Voice



POWER TRANSFORMER DIAGRAM

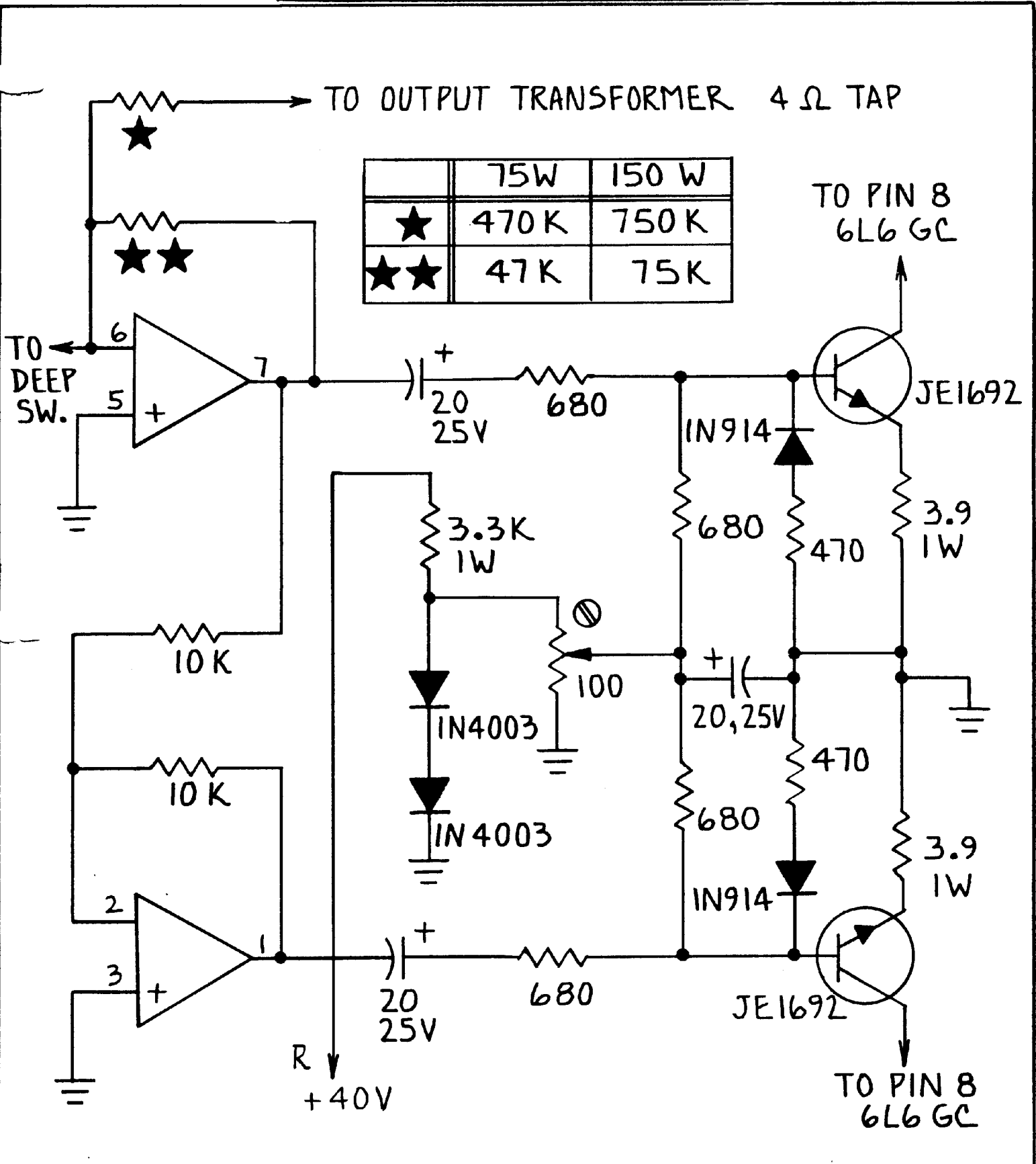
FORM 4-1-60

MUSIC MAN INC.

ANAHEIM, CA.

5002

# DB~4 SCHEMATIC



NOTE: THIS SCHEMATIC SHOWS MODIFIED DRIVER SECTION IN AMPLIFIERS CONTAINING DB-4 DRIVER BOARD.