

1M LOG BASS
1M LOG TREBLE
1M LOG VOLUME

0.47µF 2MH 1KUH BOOST
FEEDBACK

ORANGE AMPLIFIER

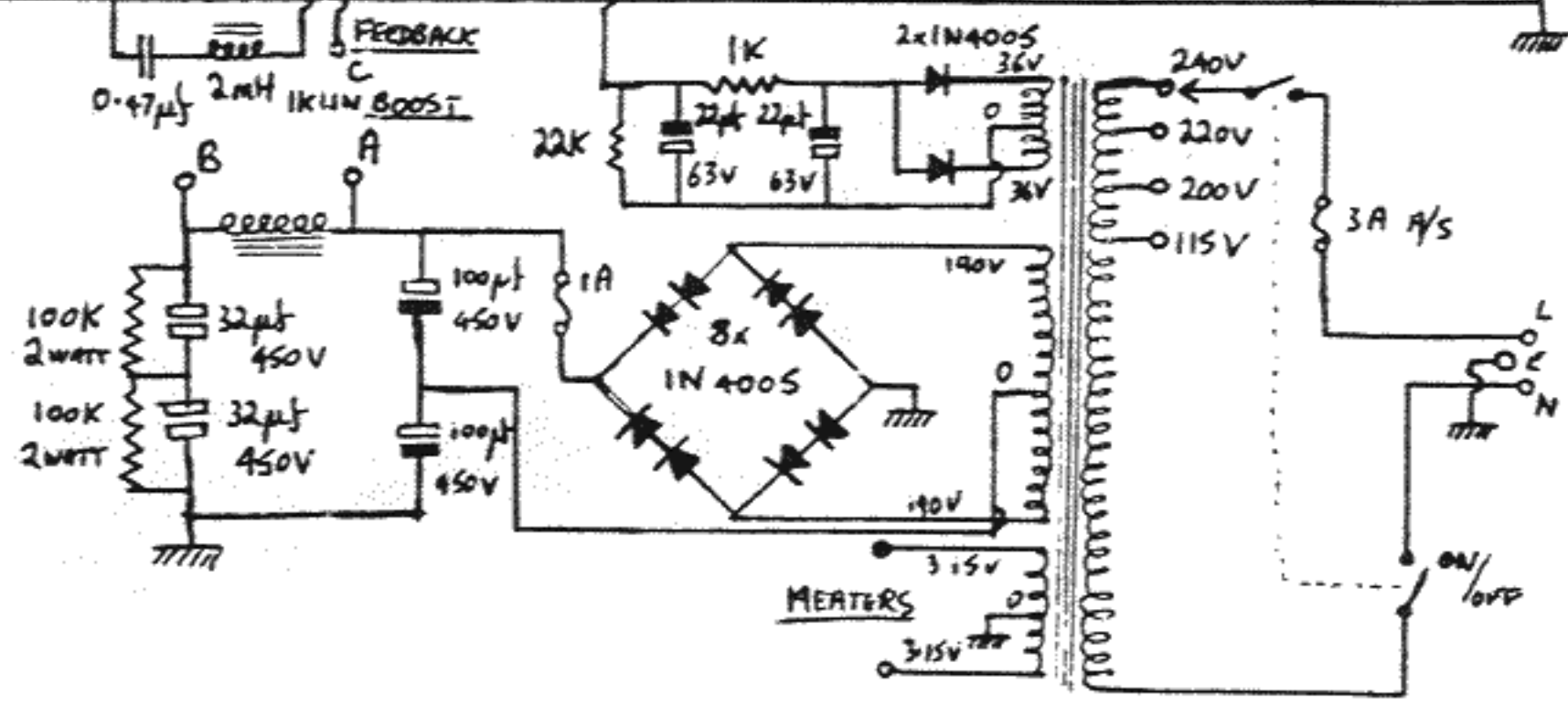
GRAPHIC MK II

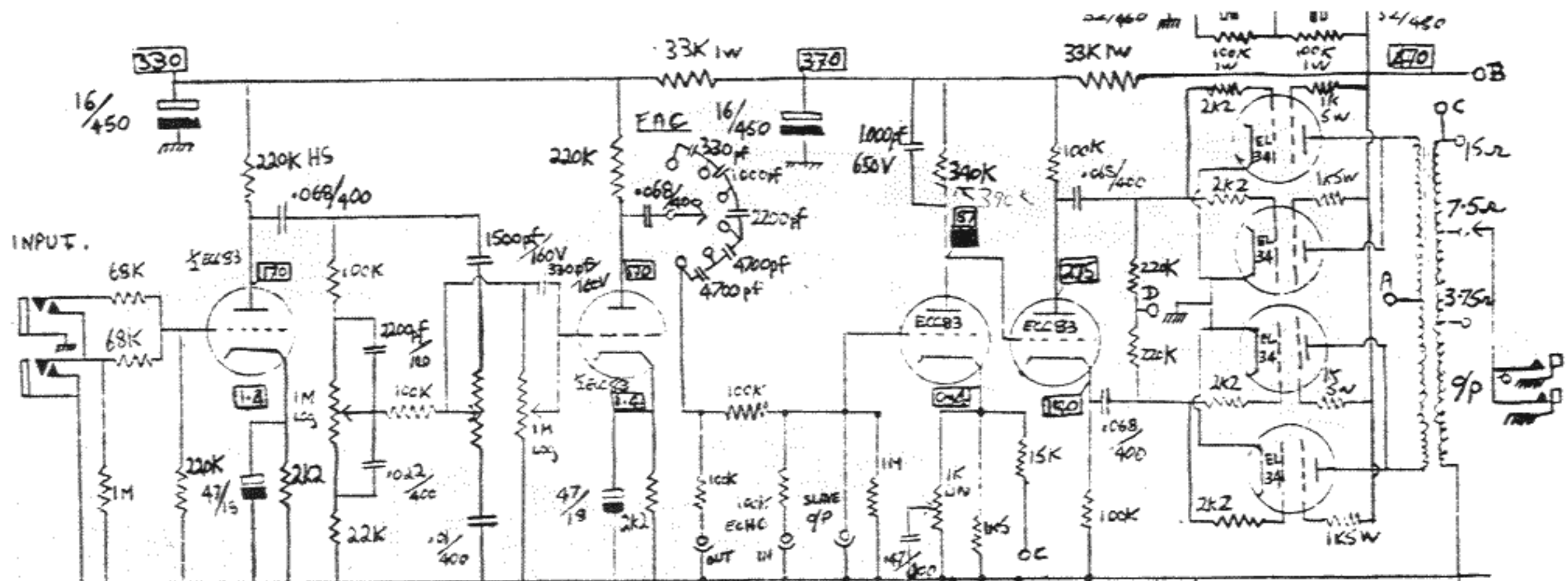
DRAWN. *J. Jones* 1972

ORANGE MUSICAL INDUSTRIES

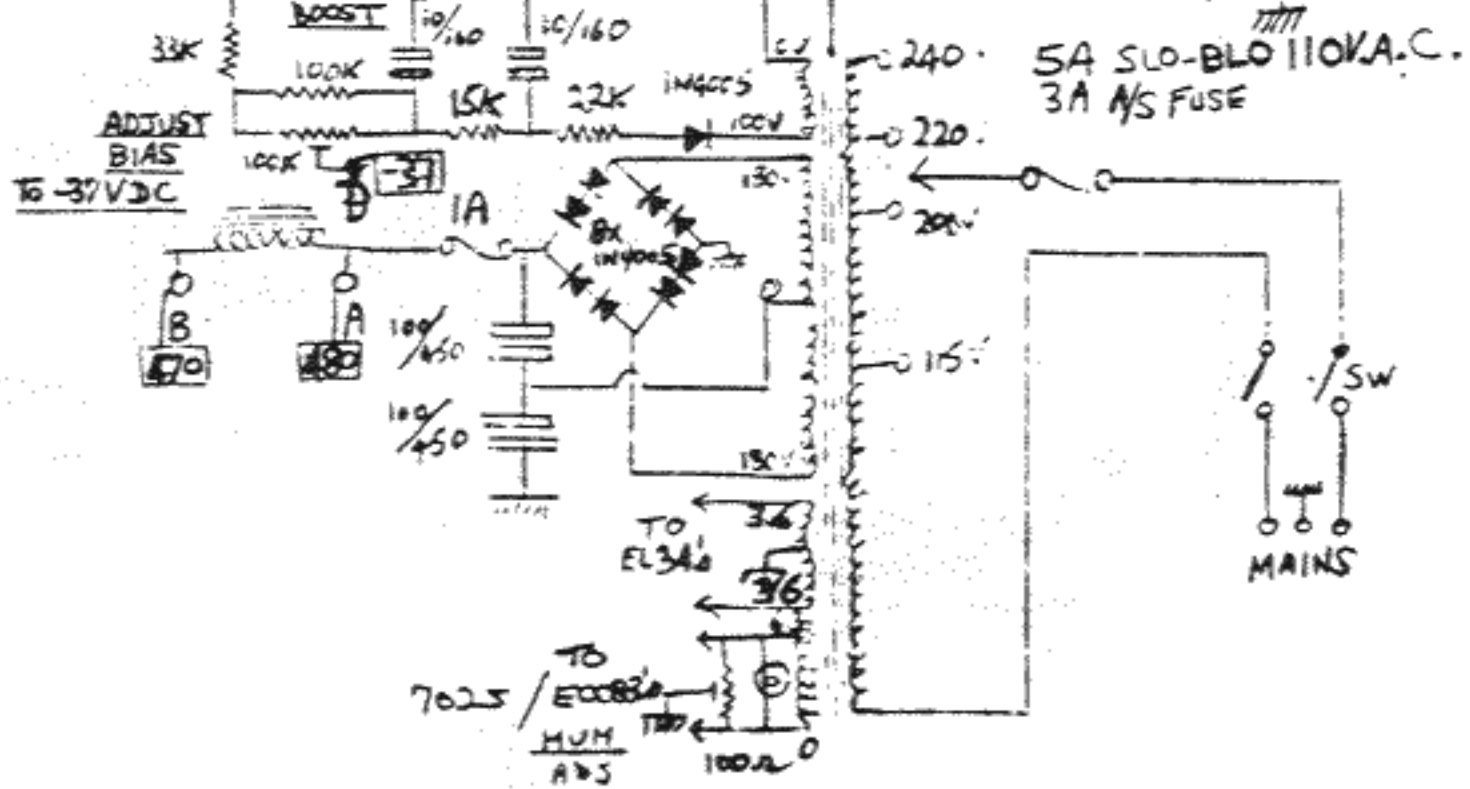
LONDON 01 836 7811

120 Watt.





BASS TREBLE VOLUME



ORANGE 120WATT GRAPHIC MK II

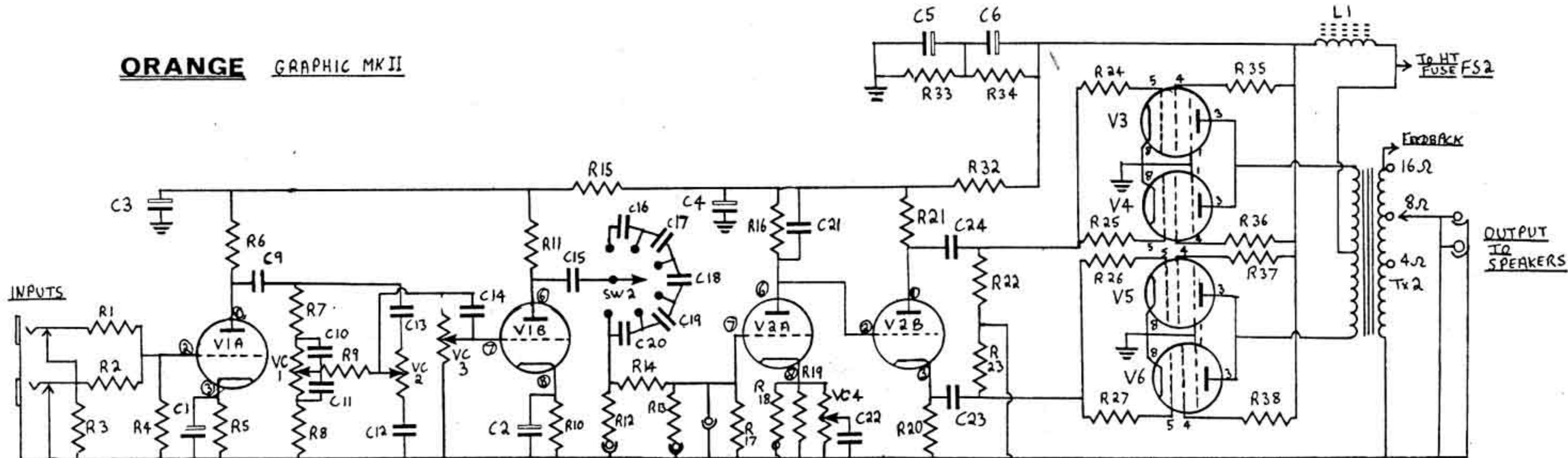
NOTE: THE 80 WATT UNIT IS IDENTICAL, BUT HAS ONLY 2 EL34
10th JAN 1974

Musonic Inc.

Marketing and Sales to the Music Industry

1271 RAND ROAD, DES PLAINES, ILLINOIS 60018

ORANGE GRAPHIC MKII



PARTS

R 1	68K 1/2 W HI STABILITY	R 20	100K 1/2 W HI STABILITY
2	68K " "	21	100K " "
3	1M " "	22	220K " "
4	220K " "	23	220K " "
5	2K2 " "	24	2K2 " "
6	220K " "	25	2K2 " "
7	100K " "	26	2K2 " "
8	22K " "	27	2K2 " "
9	100K " "	28	33K " "
10	2K2 " "	29	100K " "
11	220K " "	30	15K " "
12	100K " "	31	22K " "
13	100K " "	32	33K 1W " "
14	100K " "	33	100K 1W " "
15	33K 1W " "	34	100K 1W " "
16	390K 1/2 W " "	35	1K 5W WIRE WOUND
17	220K " "	36	1K " "
18	15K " "	37	1K " "
19	1K5 " "	38	1K " "

C 1	47mfd 18V ELECTROLYTIC
2	47 " 18V "
3	16 " 450V "
4	16 " 450V "
5	33 " 450V "
6	33 " 450V "
7	10 " 160V "
8	10 " 160V "
9	0.068 mfd 400V
10	2200 pF 160V
11	0.01 mfd 400V
12	2200 pF 160V
13	330 pF 160V
14	330 pF 160V
15	0.068 mfd 400V
16	330 pF 160V
17	1000 pF 160V

C 18	2200 pF 160V
19	4700 pF 160V
20	4700 pF 160V
21	1000 pF 500V
22	0.47 mfd 100V
23	0.068 mfd 400V
24	0.068 mfd 400V
25	100 mfd 450V
26	100 mfd 450V
D 1-9	1N4005
Tx 1	MAINS TRANSFORMER
Tx 2	OUTPUT TRANSFORMER
L 1	HT CHOKE
FS 1	3A ANTI SURGE MAINS FUSE (5A AT 115V)
FS 2	1A HT FUSE

V1A-B ECC 83
V2A-B ECC 83
V3-6 EL 34

SW 1 DOUBLE POLE MAINS SWITCH
SW 2 2POLE 6WAY FAL SWITCH

VC 1 1MΩ Log Pot BASS
VC 2 1MΩ " " TREBLE
VC 3 1MΩ " " VOLUME
VC 4 1KΩ Lin " BOOST

VR 1 100K PRESET (SET BIAS)
VR 2 100R " (SET MIN HUM)

NB. 80 WATT VERSION IDENTICAL BUT Tx 2 DIFFERENT AND V3-6 R 24, 27, 35, 38 OMITTED

ORANGE MUSICAL INDUSTRIES LIMITED

17 Upland Road, Bexleyheath, Kent. Telephone: 01-304 6717