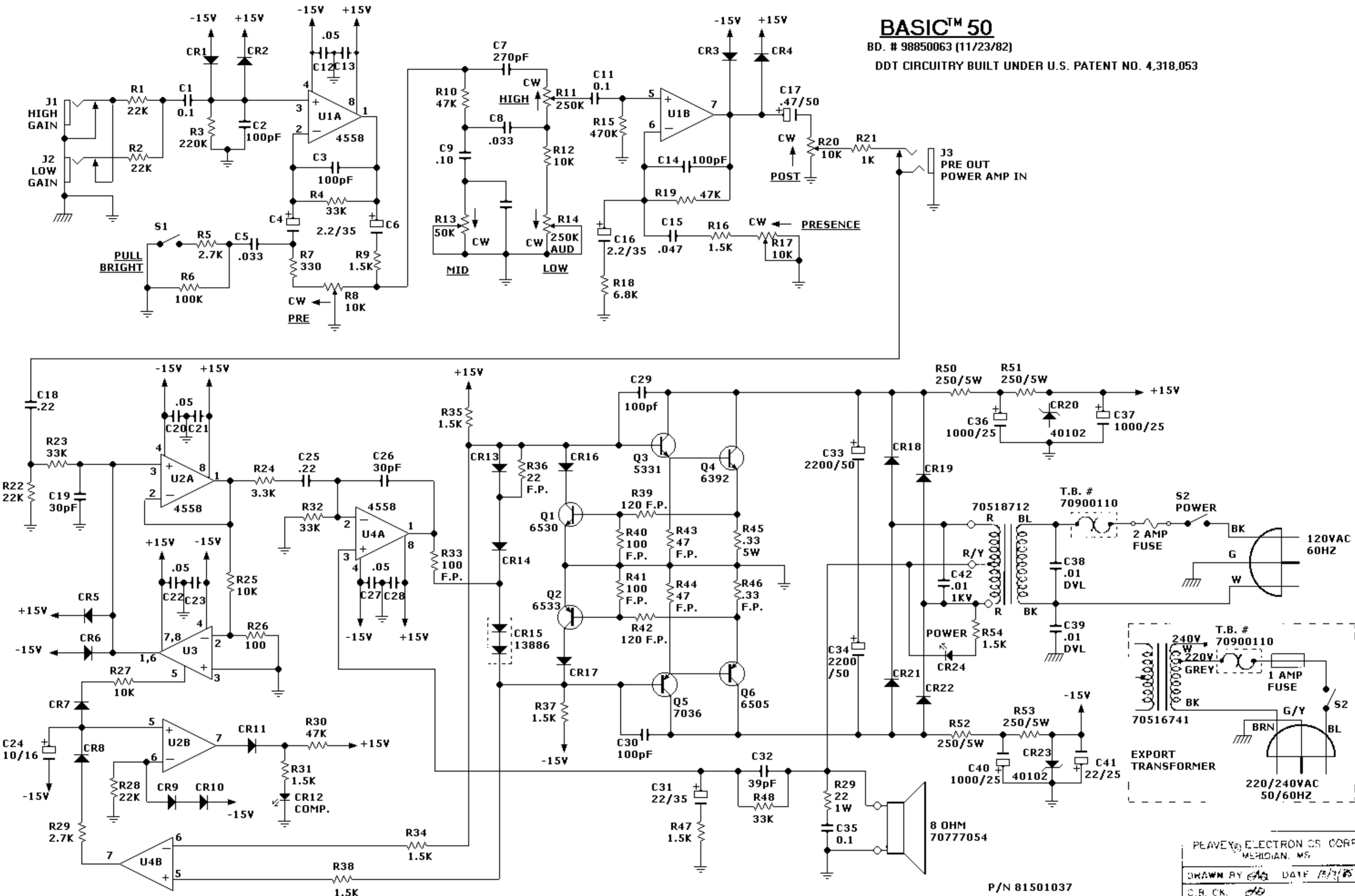


BASIC™ 50

BD. # 98850063 (11/23/82)

DDT CIRCUITRY BUILT UNDER U.S. PATENT NO. 4,318,053



P/N 81501037

COPYRIGHT 1985

PLAVEY ELECTRONICS CORP
MERIDIAN, MS

DRAWN BY *AD* DATE *12/1/85*

C.B. CK. *AD*

CK BY *Y. G. B.*

APPR BY *AD*