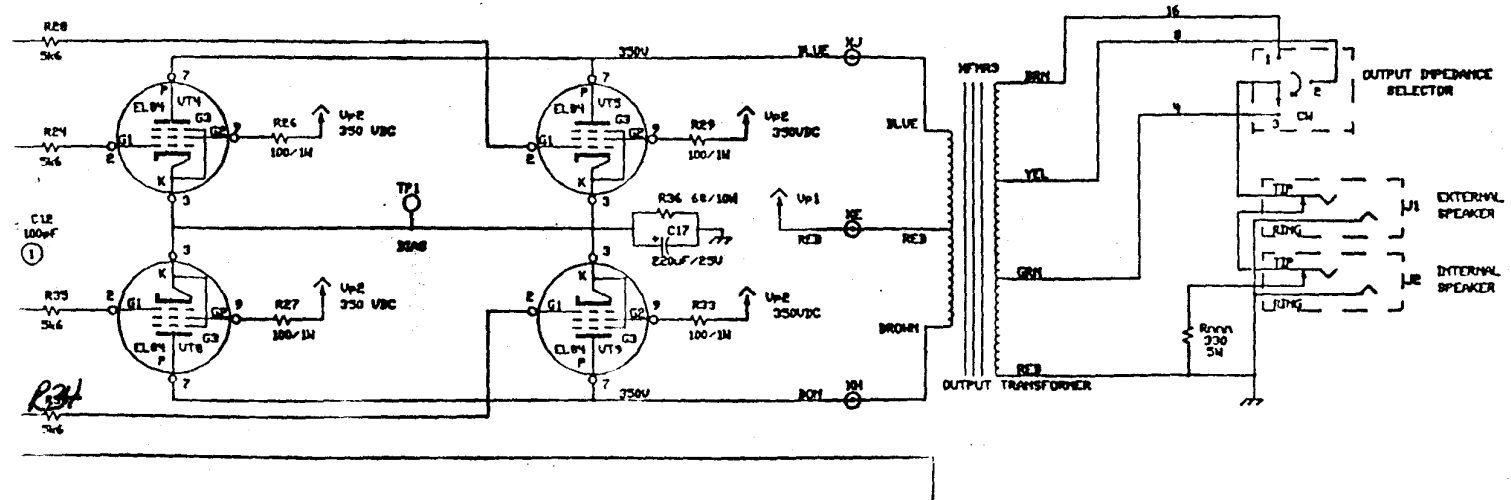


B

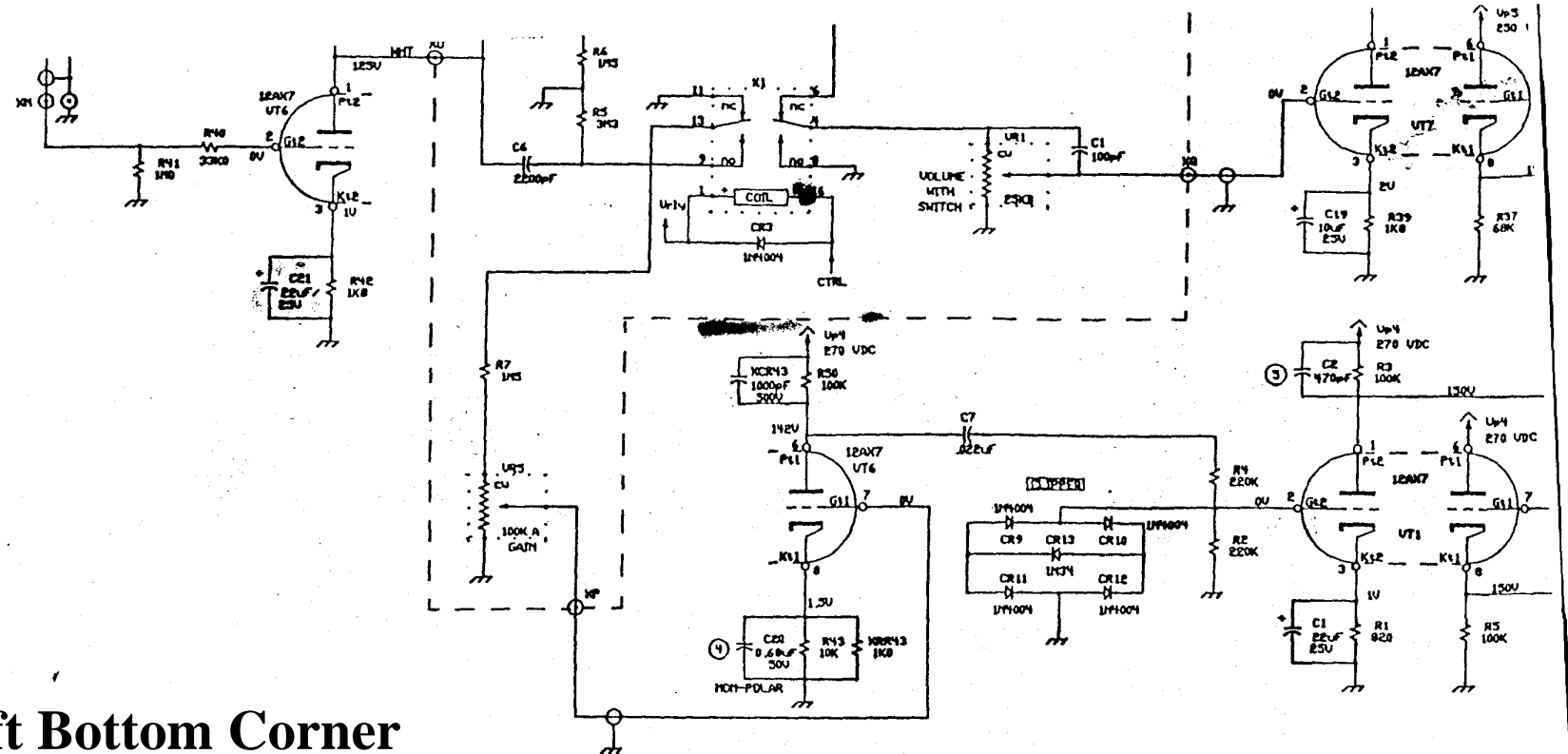
12 13 14 15 16 17 18 19 20 21 22

R24 220K
R24 220K
R28 ~~6.2K~~ R34 ~~6.2K~~
R24 6.2K R35 6.2K
R26 560R R29 560
R27 560 R33 560

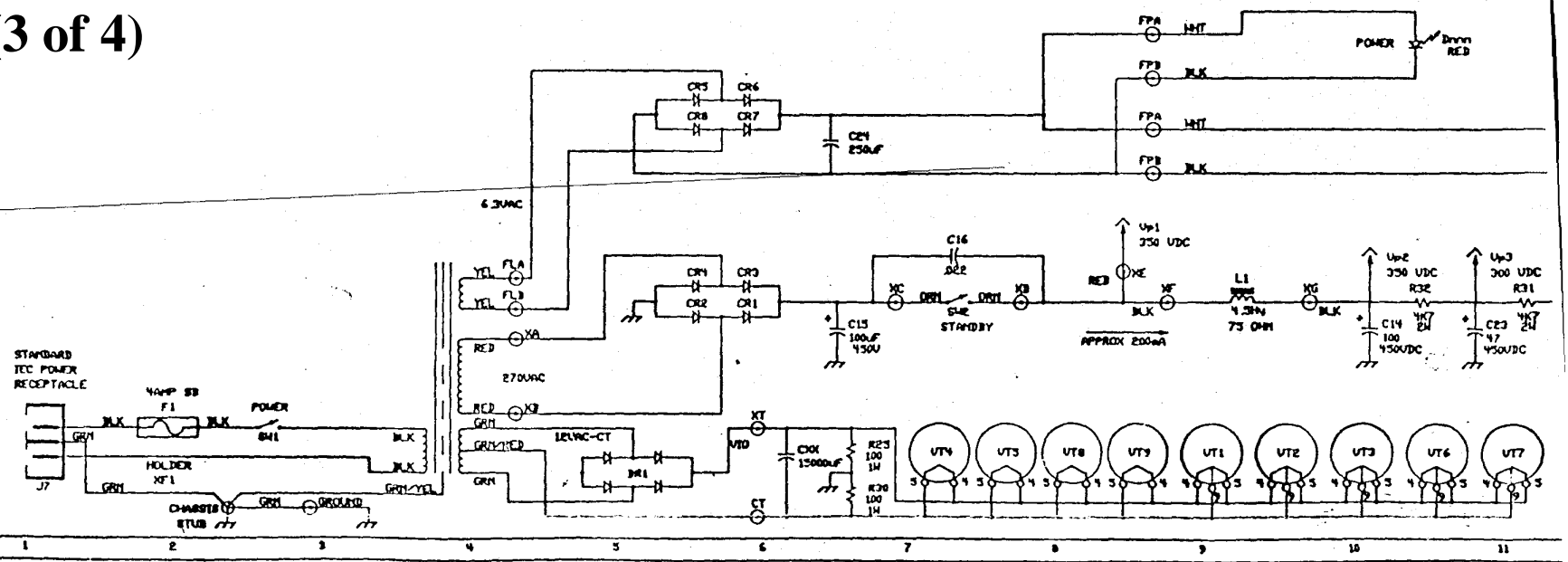
Right Top Corner
(2 of 4)

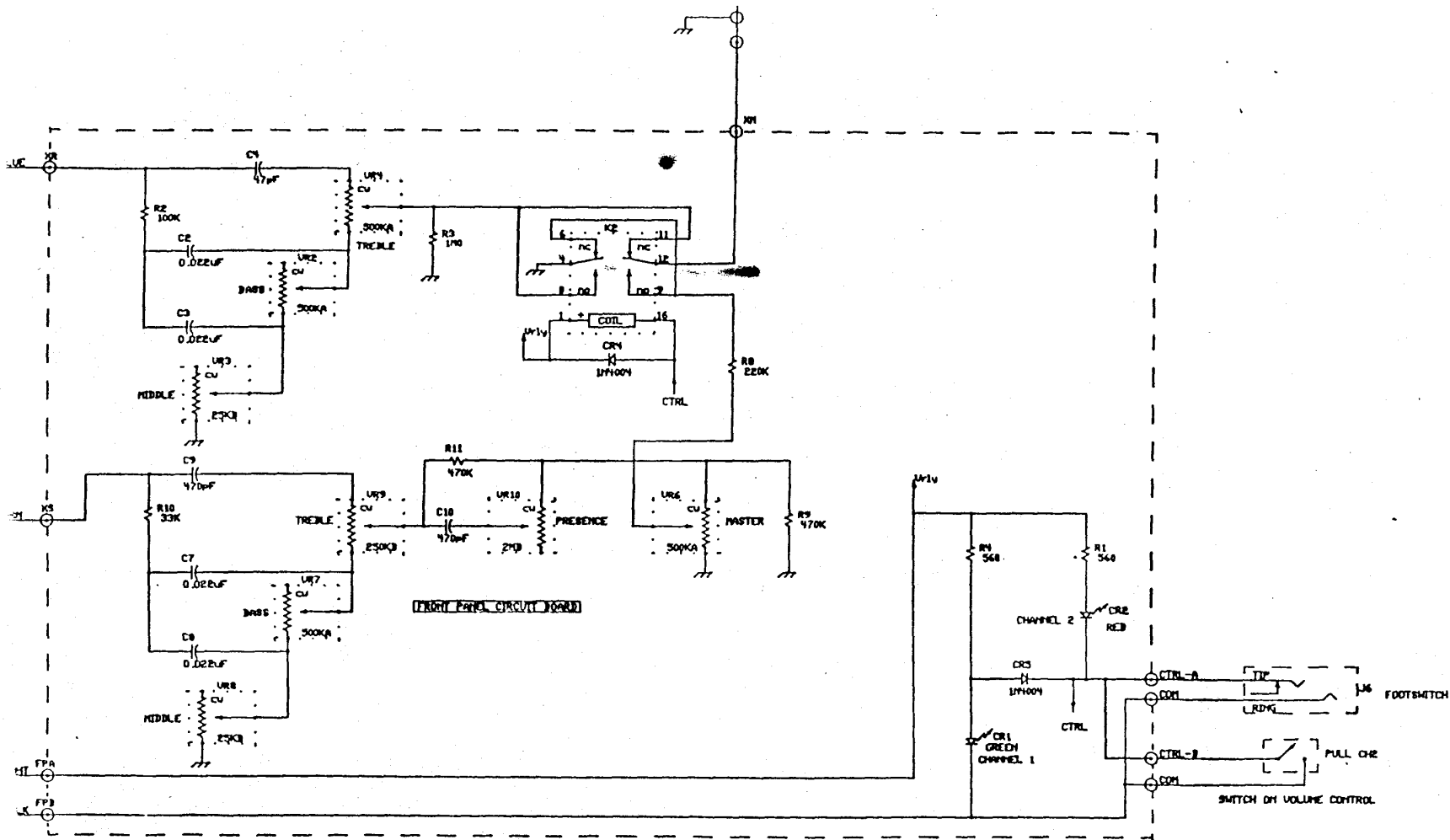


A



Left Bottom Corner (3 of 4)





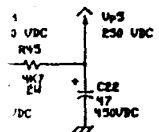
Right Bottom Corner (4 of 4)

NOTES

- ① ROLLS OFF HIGHS
- ② ROLLS OFF HIGHS
- ③ INCREASE VALUE FOR MORE BASS
- ④ INCREASE VALUE TO INCREASE LEAD CHANNEL LOW END
- ⑤ ROLLS OFF HIGHS
- ⑥ ROLLS OFF HIGHS

R.M. SCHMIDT & ASSOC. INC.
TITLE: RT20 APPLICATION
JOB: BONDROLL DATE: 10/77

RT20S1F.SCH	RT20S1C.SCH	9/28/76	C	12/13/77	DESIGNED BY	RMS	CHK	
RT20S1E.SCH	RT20S1B.SCH	1/13/76	A	10/16/77	DRAWN BY	JK	CHK	
RT20S1R.SCH	RT20S1A.SCH	10/28/77	A	10/17/77	SHEET	1	OF	
					DATE	10/17/77	BY	RMS



12 13 14 15 16 17 18 19 20 21 22